



Welcome to Fleetwood Windows & Doors

Before You Begin

We are proud of our 54+ year history as a California-based window and door manufacturer. In a time when others are making products in foreign countries, Fleetwood remains true to its essential purpose as an American company, employing American workers making quality products.

We believe we are helping support the American dream of success by relying upon God and this country's ingenuity and work ethic, which has made the United States of America the greatest country in the world. Our focus is to innovate, not imitate.

You will discover that we continue to blaze a trail of top quality and innovative design, like our patented Archetype door latch system.

We appreciate the amount of time it takes to properly research windows and doors. We believe you will discover that Fleetwood offers much more value than any other window and door company. If possible, visit our factory or a dealer showroom. Once you have operated one of our life size doors (the bigger the better!) you will understand our reputation.

Product Index

TO ASSIST YOU IN PRODUCT GROUPINGS, WE OFFER TWO DISTINCT QUALITY LEVELS. This catalog is only highlighting the most desired products within the Fleetwood family. We refer to these products as the Premium Package.

INTRODUCTION	CONTENT	PAGE
ALUMINUM ATTRIBUTES	GENERAL INFORMATION	3-4
PRODUCT FEATURES	CHECK LIST COMPARISON	37-38
DOORS	CONTENT	PAGE
MULTI-SLIDE/POCKET	SERIES 3070	5-6
MULTI-SLIDE/POCKET	SERIES 3070-T "THERMAL FRAME"	7-8
MULTI-SLIDE/POCKET	SERIES 3050	9-10
TRADITIONAL SLIDER	SERIES 3000	11-12
TRADITIONAL SLIDER	SERIES 3300-T "THERMAL FRAME"	13-14
HINGED DOOR	SERIES 3500	15-16
HINGED DOOR	SERIES 3900-T "THERMAL FRAME"	17-18
HINGED DOOR	SERIES 3200-T "THERMAL FRAME"	19-20
PIVOT DOOR	SERIES 3400P	21-22
FOLDING DOOR	SERIES 3600	23-24
HARDWARE	ALL SERIES	39-40
FIXED SYSTEM	CONTENT	PAGE
WINDOW-WALL FIXED SYSTEM	SERIES 3800-T "THERMAL FRAME"	25-26
WINDOWS	CONTENT	PAGE
CASEMENT, AWNING & HOPPER	SERIES 250-T "THERMAL FRAME"	27-28
CASEMENT & AWNING	SERIES 850-T "THERMAL FRAME"	29-30
HORIZONTAL SLIDER & SINGLE HUNG	SERIES 530-T "THERMAL FRAME"	31-32
HORIZONTAL SLIDER & SINGLE HUNG	SERIES 250	33-34
HORIZONTAL SLIDER	SERIES 510	35
HARDWARE	ALL SERIES	41-42
SPECIALTY PRODUCTS	CONTENT	PAGE
HIGH PERFORMANCE OPTIONS	ALL SERIES	36



Finishes

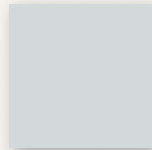
ONE OF THE UNIQUE TRAITS OF ALUMINUM IS ITS ABILITY TO HAVE MULTIPLE FINISHES. IF PROPERLY MAINTAINED, THESE FINISHES WILL LAST A LIFETIME. WE OFFER MORE INFORMATION ON OUR WEBSITE IN 'MAKING THE RIGHT CHOICES' (DESIGNERS AND HOMEOWNERS SECTIONS).

ANODIZED

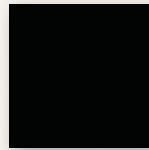
Anodizing is a chemical process that makes the aluminum surface harder and thicker. It was used by the US Military in WWII as a finish to protect against corrosion on its aircraft. [Process: Each extrusion is electrically charged while submerged in acid (changes aluminum oxide to aluminum hydrate). If an earth tone color is desired, the aluminum is dipped in a color tank and then sealed.]

FAST TRACK FINISHES

Fleetwood offers its aluminum products in thousands of colors but offers the following two finishes with a faster production time.



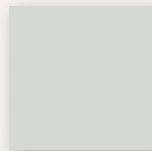
Class I Clear Anodize



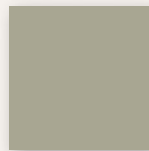
Class I Dark Bronze Anodize

CUSTOM COLOR ANODIZING

We offer five additional earth tone colors, shown here. Customers should expect shade variation so if exact color uniformity is desired, paint may be the better choice.



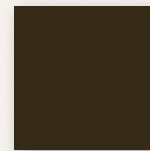
F1



F2



F3



F4

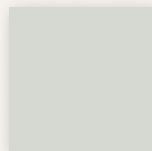


F5

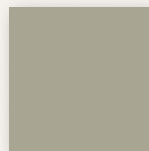
PAINTED

We use the same paint (Kynar 500™) which high-rise buildings around the world demand because of its exceptional color retention and salt air protection. [Process: Each extrusion is chemically pretreated, painted electro-statically, then cured in an oven.] Edge Armor is optional and recommended near the coast.

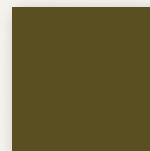
The five custom earth tone colors shown here are consistent with the corresponding custom color anodized shades.



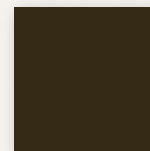
F1



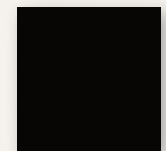
F2



F3



F4

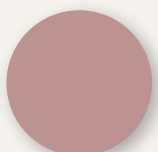


F5

16 OF OUR MOST POPULAR COLORS



Light Seawolf



Rosewood



Fashion Gray



Sage Brown



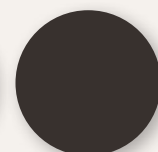
Charcoal Gray



Brick Red



Aged Copper



Statuary Bronze



Black



White



Medium Bronze



Interstate Blue



Interstate Green



Copper



Silver



Brite Copper

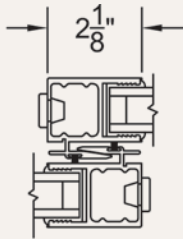
Please note: The colors in this brochure are not anodized or painted on aluminum and will therefore vary slightly.

Benefits of Aluminum

THERE ARE NUMEROUS REASONS TO CHOOSE ALUMINUM WINDOWS AND DOORS.

LOW MAINTENANCE

Without question, aluminum is the most durable and easily maintained window material. For general applications where regular maintenance of your windows is expected, our standard anodize finishing is an excellent choice for durability purposes. However, for those who may not be able to provide as strict a regime of maintenance, we strongly recommend Edge Armor which involves total fabrication of your products before painting so all edges are armored. Please note: Edge Armor is not available on thermally broken products.



CRISP, LINEAR SHAPES

Aluminum can easily be designed with great intricacy, which provides narrow sightlines, allowing the door or window to blend into the architecture rather than overpower it. For example, the Series 3070 is available 15' tall and the vertical sightline is a slim 2-1/8".



ENERGY COMPLIANCE

Though not as efficient as wood, aluminum allows huge glass expanses that not only accentuate your view but also welcome more natural light. Fleetwood can help the project comply with local codes by offering the following three tools:

NFRC Test Result Matrix:

Our online product pages provide links to all current test results for each product.

Weighted Average Per Quote:

A weighted average energy report, based on the NFRC Test Results is provided with each quote.

Custom Analysis:

By using the same software NFRC uses to create its test results (above), Fleetwood provides a custom energy report with each quote. One can expect a performance improvement range of 5%–20%.

SHGC & U-FACTOR:

The SHGC measures heat gain based on direct sun exposure. The lower the number, the less heat (short wave radiation) passes through the window or door. This is perhaps the most important consideration when selecting the right glass for hotter climates.

The U-Factor measures heat lost through the window/door. **Be careful not to apply too much importance to this factor** because the test is done with all seams taped shut. It is therefore a material conduction test and not a true operable window test.

In some applications, Fleetwood recommends NOT using thermally broken products. For more information: http://www.fleetwoodusa.com/menu_bar/Designers/Choosing-The-Right-Product.php.

FIRE HEAT RESISTANCE

Products designed to resist the impingement of flames are often made of steel, which has limits in function and design. In contrast, aluminum, though not fire proof, offers diverse design elements with practical fire performance. Specifically, aluminum windows can help maintain firewall integrity because extruded aluminum retains its form at over 1000°F. Typical residential windows are quickly destroyed by heat and flames, creating large openings for flying embers to enter. The urban wild fire building codes are addressing some of these practical realities and seem to be leaning toward aluminum or steel as the preferred building material.

ENTRY LEVEL PRODUCT LINE

Fleetwood offers a product line for projects desiring the overall quality of a Fleetwood product but with fewer features at a lower price. For more information, visit the Products section online.



The “Little” Things

TRUE QUALITY COMES FROM A COLLECTION OF REFINED PARTS. Below are two examples of Fleetwood's commitment to build it better, not cheaper.



ARCHETYPE SLIDING DOOR ROLLERS:

- Made in the USA
- Certified Swiss precision bearings with European 440C stainless, using precision tuning, heat treatment, grinding and ‘superfinishing’
- Hand assembled with 100% SPC (Statistical Process Control) and visually inspected
- Strict proprietary tolerances achievable by only the finest worldwide bearing manufacturers
- HRC 58-60 bearing hardness vs. HRC 40 industry standards (below 52 creates metallic particles acting as a “grinding paste”)
- Each bearing contains a special low friction contact seal with lifetime lubricant
- All rollers come with a Lifetime warranty



ARCHETYPE & ARCHETYPE NARROW LOCKING SYSTEM:

- Made in the USA
- Both systems earned a US Patent (Patent No. 8,186,189 B2)
- Constructed of #300 stainless steel
- Faceplates constructed of #300 stainless steel and electropolished
- Assembled with stainless steel fasteners
- Laminated 6 ply stainless steel hook
- Exposed handles cast with #316 stainless steel and electropolished
- Optional 5-pin keyed lock
- Dual latch on doors +96" height (Archetype only; 3070 & 3050)
- All latches come with a Lifetime warranty

Aluminum: The Future is Here

ALUMINUM PRODUCTION:

It is estimated that over 8% of the earth’s crust contains bauxite ore, which is naturally rich in aluminum oxide (“alumina”). The world was aware of this as early as the Babylonian Empire but was unable to efficiently isolate aluminum. It was not until the late 1800’s that an American scientist, Charles Martin Hall, discovered the process that changed the world:

Step 1: MINING

Bauxite is mined and gathered.

Step 2: REFINING

Bauxite is finely ground and mixed with lime and caustic soda which produces a sugar-like white powder called “alumina” (also known as aluminum oxide).

Step 3: SMELTING

The alumina is dissolved in a cryolite bath. During this molten state, a powerful electric current is passed through the bath and aluminum is separated from the chemical solution and powerful machines siphon off the aluminum.

Step 4: FABRICATING

Aluminum is placed into a furnace where it is melted down and mixed with other metals to produce customer specified alloys. These molten mixes are then poured into ingots which harden and then are shipped for further fabrication, such as extruding.

SUSTAINABLE & GREEN:

Aluminum is a fantastic building product for those concerned about sustainability. It is naturally plentiful and perpetually surviving. Moreover, aluminum rates very high in Life Cycle Assessment and leaves a small ecological footprint. All windows and doors eventually must be replaced but aluminum windows and doors last decades longer than wood and vinyl. Consider the impact on the world’s landfills with all the

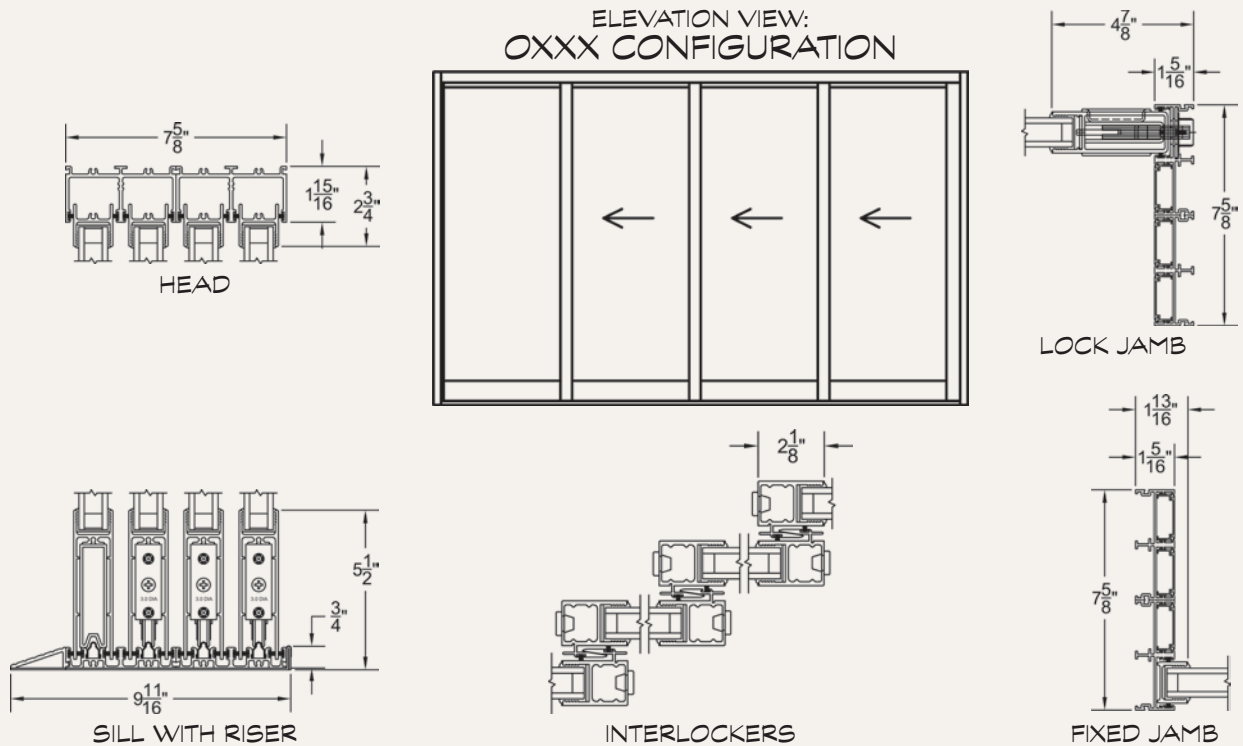
wood and vinyl waste. Additionally, imagine the wasted energy on redundant manufacturing of short-lived wood and vinyl windows and doors. **For more information about why Fleetwood products are a wise choice for the environmentally conscious homeowner, please see our Green & Sustainable document online at www.FleetwoodUSA.com, under the Designers menu.**

SERIES 3070 MULTI-SLIDE & POCKET DOOR



CONFIGURATIONS	← MAX PANEL WIDTH	↑ MAX PANEL HEIGHT	☀ EXAMPLE SHGC	❄ EXAMPLE U-FACTOR
<ul style="list-style-type: none"> Virtually Unlimited Multi-Slide, Curved, Pocket, and Corner applications. 	10'	18'	² NFRC: 0.30 ³ S.P.A.: 0.35	² NFRC: 0.47 ³ S.P.A.: 0.33

ELEVATION VIEW:
OXXX CONFIGURATION



¹Max width and height are not necessarily available in combination.

²Specimen size: Nom. 79" x 79".

³Simulated Performance Alternative size: 288" x 120" OXXX using SNG8-IS20/Argon Warm Edge glass.





DESIGN NOTES

- Patented *Archetype Narrow* hardware.
- Easiest rolling door made (authentic Swiss bearings).
- Weather rated.

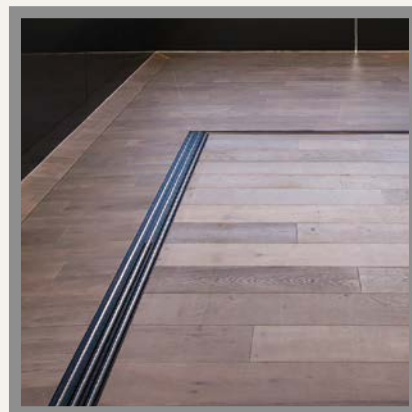
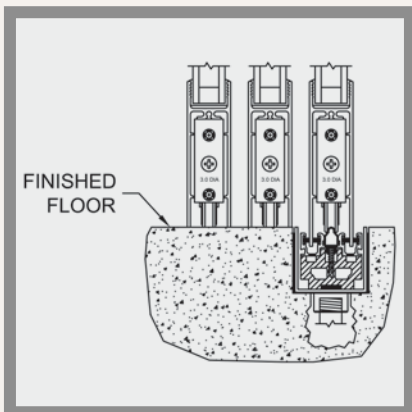


Double Leg Rail:

The double leg design is both attractive and functional. To appreciate its beauty, you need to see a full size display. The double leg offers twice as much weather-stripping as a cheaper, single leg design and better repels sand, debris, insects and other unwanted matter.

Sill, Jamb & Head Fillers:

The Series 3070 comes standard with matching extrusions that fill unused cavities in the head, jamb and sill. These closers enhance the cosmetic beauty of the product but also serve the practical function of repelling sand, water, air and bugs.



Locking Hardware:

The Series 3070 offers two lock stile choices. The standard is our patented *Archetype* system (page 4). However, an even slimmer option is our patent pending *Archetype Narrow* (pictured above). The *Narrow* includes the same latch as the *Archetype*, a vertical actuation and small profile handle, and a keyed lock option.

Sub-Sillpan Option:

This feature creates a continuous floor look similar to the Series 3050 Hidden Track (page 10), but with weather performance. Specifically, the staggered track option achieves a 6 PSF water test result, which is equal to an HC-40 (Heavy Commercial) door. The detail above shows how the tracking system can be level with the finished floor but still provide exceptional water performance underneath. This feature is also available on the thermal frame Series 3070-T (pages 7–8).

For jobs requiring an impact rating, Fleetwood offers the 3070-HI. Visit our website for more information.

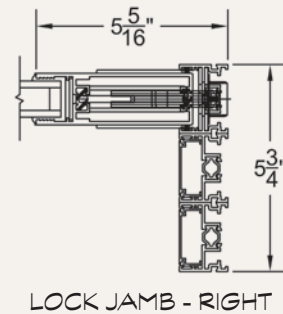
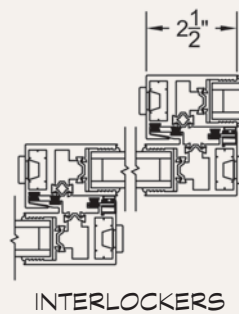
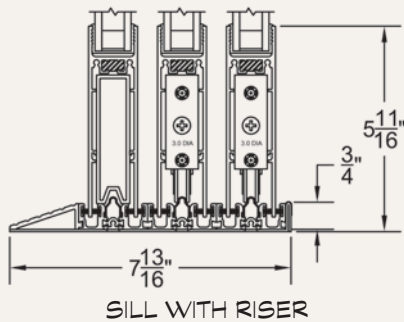
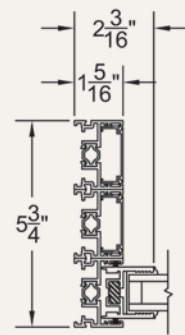
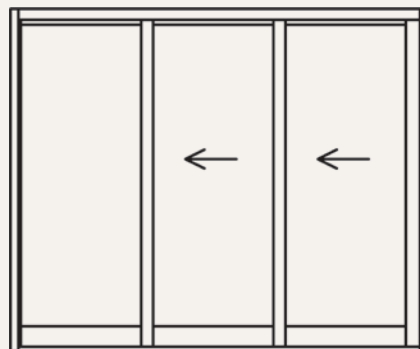
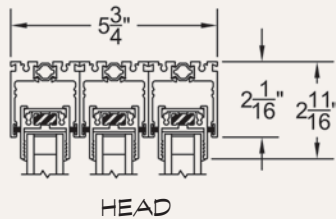
SERIES 3070-T

“THERMAL FRAME” MULTI-SLIDE & POCKET DOOR



CONFIGURATIONS	← MAX PANEL WIDTH	↑ MAX PANEL HEIGHT	☀ EXAMPLE SHGC	❄ EXAMPLE U-FACTOR
<ul style="list-style-type: none"> Virtually Unlimited Multi-Slide, Pocket, and Corner applications. 	8'	12'	² NFRC: 0.21 ³ S.P.A.: 0.23	² NFRC: 0.34 ³ S.P.A.: 0.30

ELEVATION VIEW:
OXX CONFIGURATION



¹Max width and height are not necessarily available in combination.

²Specimen size: Nom. 79" x 79".

³Simulated Performance Alternative size: 120" x 144" OXX using Cardinal 366-i89/Argon glass.





DESIGN NOTES

- More energy efficient version of the 3070.
- The first completely insulated multi-slide door.
- Swiss bearing rollers are a standard feature.



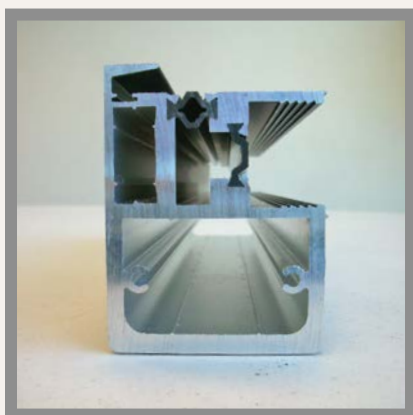
Minimalistic Hardware:

The standard locking system is our patented *Archetype* system (page 4). However, the 3070-T offers the option of a sleeker locking stile (pictured above) called the *Archetype Narrow*. The *Narrow* includes the same latch as the *Archetype* but with a vertical actuation and a smaller footprint.



“Thermal Frame” Extrusions:

Our designs have dramatically reduced the transfer of heat and cold through the extrusion by adding a thermal barrier. Fleetwood uses two methods: Pour/De-bridge and I-Strut. The former process involves pouring liquid polyurethane into an extrusion pocket and removing the aluminum bridge. The I-Strut process involves mechanically joining a polyamide strut to two separate extrusions. Both are proven systems but struts offer more attractive extrusion designs in certain shapes, such as the High Performance Interlocker (see lower left).



High Performance Interlocker:

The Series 3070-T and Series 3300-T sliding doors offer a thermally improved I-Strut high performance interlocker option for high wind load conditions or taller doors requiring additional stiffness.



No Post Corner:

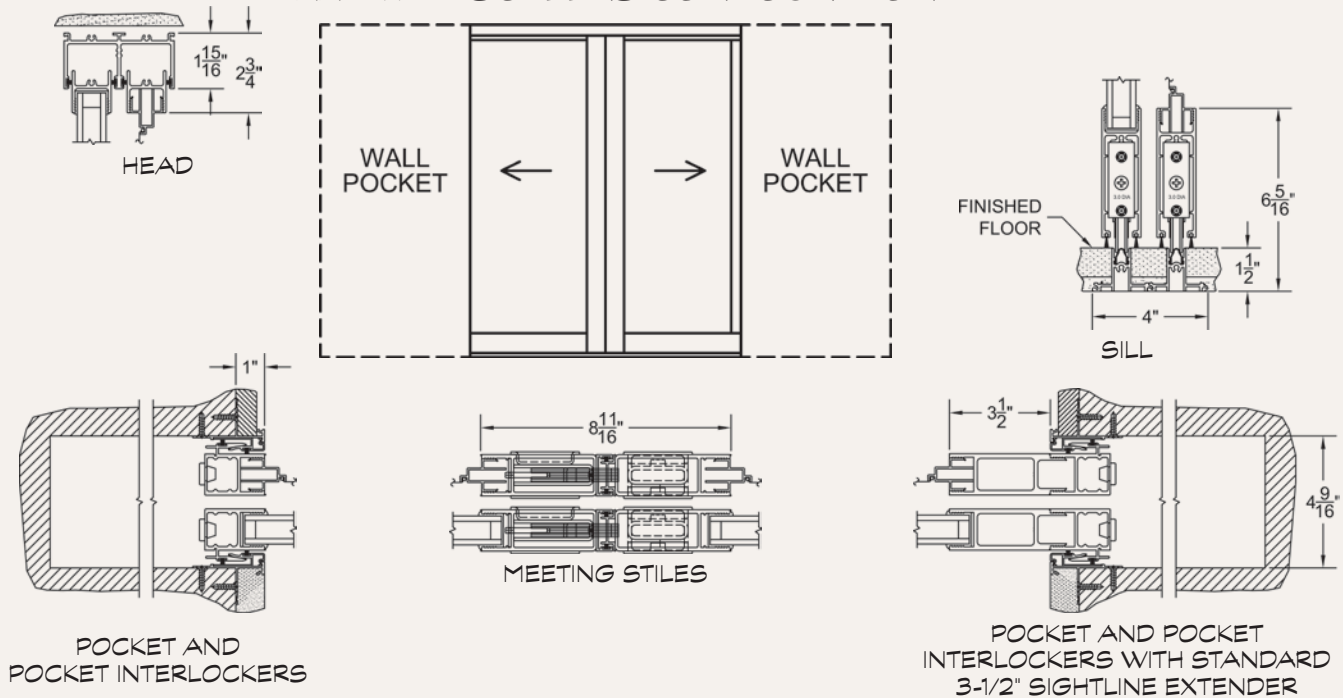
A custom extrusion was created to allow 90° and odd angle corners without the need for a post or jamb. The result is the strongest and most attractive corner door on the market. Imagine the stunning view once the doors are in the fully opened position (see pages 5 and 7). To make it even more dramatic, design the walls to allow these door panels to disappear into a pocket.

SERIES 3050 MULTI-SLIDE & POCKET DOOR



CONFIGURATIONS	← MAX PANEL WIDTH	↑ MAX PANEL HEIGHT	☀ EXAMPLE SHGC	❄ EXAMPLE U-FACTOR
<ul style="list-style-type: none"> Virtually Unlimited Multi-Slide, Curved, Pocket, and Corner applications. 	10'	18'	² NFRC: 0.29 ³ S.P.A.: 0.33	² NFRC: 0.49 ³ S.P.A.: 0.39

ELEVATION VIEW: PXXP WITH SCREENS CONFIGURATION



¹Max width and height are not necessarily available in combination.

²Specimen size: Nom. 79" x 79".

³Simulated Performance Alternative size: 10' x 12' PXXP using SB60-LOF/Argon Super Spacer glass.





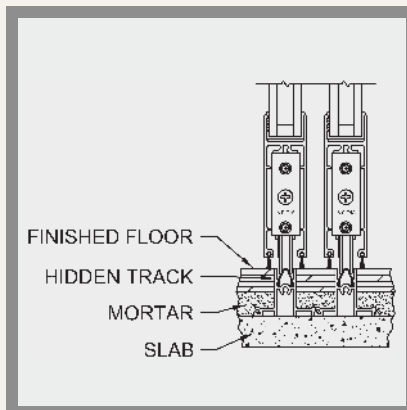
DESIGN NOTES

- Barefoot sill (not weather rated).
- Promotes indoor/outdoor living.
- Complements the weather rated 3070.



Curved/Bent: Hidden Track

The aluminum and glass can be bent to your precise specifications (12'+ radius) and the number of panels is unlimited. (For weather or energy performance, the Series 3070 is offered bent too.) The image above shows the track before the finished flooring is installed and the image below shows post installation.



Seamless Transition:

The "Hidden Track" creates an almost seamless transition of the exterior to the interior of the room.



Hidden Track System:

The track system of the Series 3050 is unique in several aspects, chief of which is the seamless transition from inside to outside. Additionally, the Hidden Track is available in two heights (1-1/2" or 1") to accommodate most floors. Because the Hidden Track utilizes the same stainless insert as all Fleetwood sliding doors, replacement is easy and does not require demolition to the finished flooring.



Optional 1/2" Threshold:

The Series 3050 comes with an optional threshold that meets the American Disabilities Act maximum sill height requirement of 1/2". Regardless of which threshold is selected, the Series 3050 has a minimal starting force and operating force (less than 5 lbs. on 300 lbs. panel) and when coupled with the Actuator lever (see page 39), the Series 3050 is the ideal sliding door for applications requiring ADA standards.

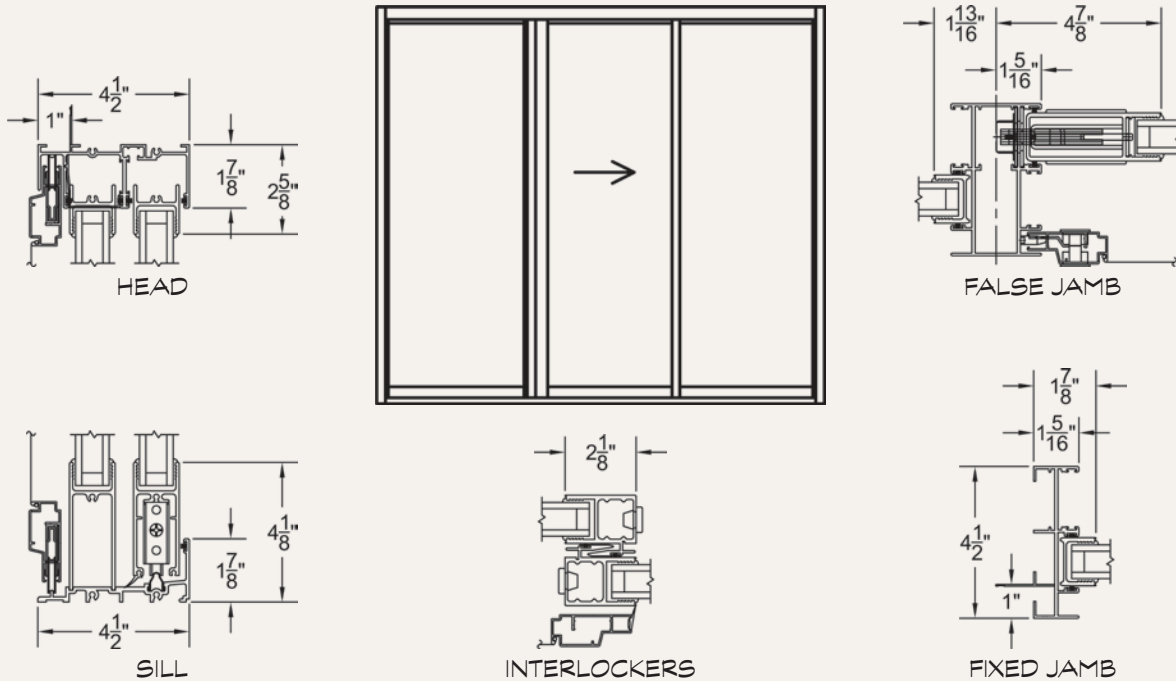
SERIES 3000 SLIDING DOOR



Photo by Taiyo Watanabe

TYPICAL CONFIGURATIONS	← MAX PANEL WIDTH	↑ MAX PANEL HEIGHT	☀ EXAMPLE SHGC	❄ EXAMPLE U-FACTOR
<ul style="list-style-type: none"> OX, XO, OXO, OOX, XOO, XOx, OXXO, XOOX. 	7'	14'	² NFRC: 0.22 ³ S.P.A.: 0.24	² NFRC: 0.47 ³ S.P.A.: 0.35

ELEVATION VIEW:
OXOL CONFIGURATION



¹Max width and height are not necessarily available in combination.

²Specimen size: Nom. 79" x 79".

³Simulated Performance Alternative size: 180" x 130" OXO using SNX62-IS20/Argon Warm Edge glass.





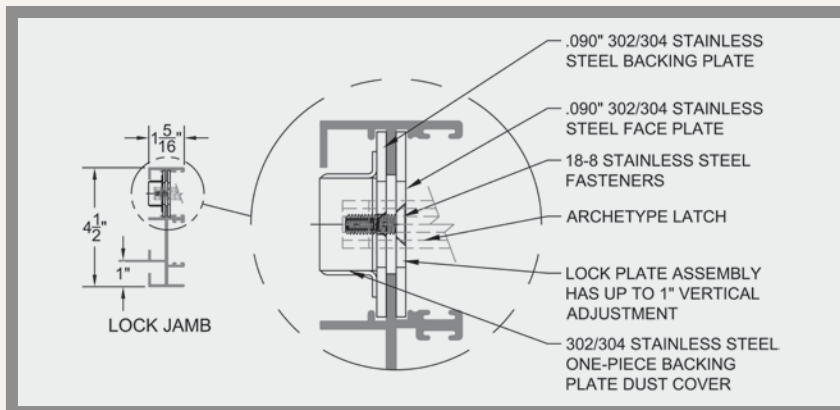
DESIGN NOTES

- Ergonomic flush latch.
- Industry's largest sizes in a traditional configuration.



Swiss Bearing Rollers:

Before assembling the roller in our US factory, our Swiss partner has shipped us authentic precision bearings for each wheel. Our technicians carefully assemble the finished product, which is capable of easily handling panel weights of 1,000 lbs. The Series 3000 sliding door uses the same exceptional stainless tandem roller as the Series 3300-T.



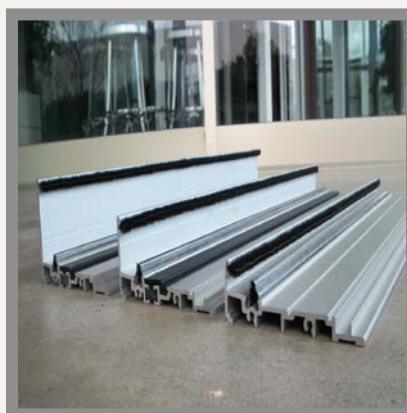
Stainless Strike Plate:

The Archetype strike plate consists of superior components (as illustrated), making it an ideal complement to the *Archetype* and *Archetype Narrow* latching systems.



Locking Hardware:

Both the Series 3000 and Series 3300-T (pages 13-14) offer two stile choices. The standard (*Archetype*) can be seen on page 4. However, an even slimmer option is our *Archetype Narrow* (pictured above).



Threshold Choices:

The Series 3000 comes standard with a 1-7/8" tall threshold (shown above, center). This sill height provides enough water protection for light commercial applications (6 psf). However, for projects demanding greater water performance, we offer a 3" tall threshold (10 psf). If exceptional water performance is not required, consider the 1-1/4" height sill.

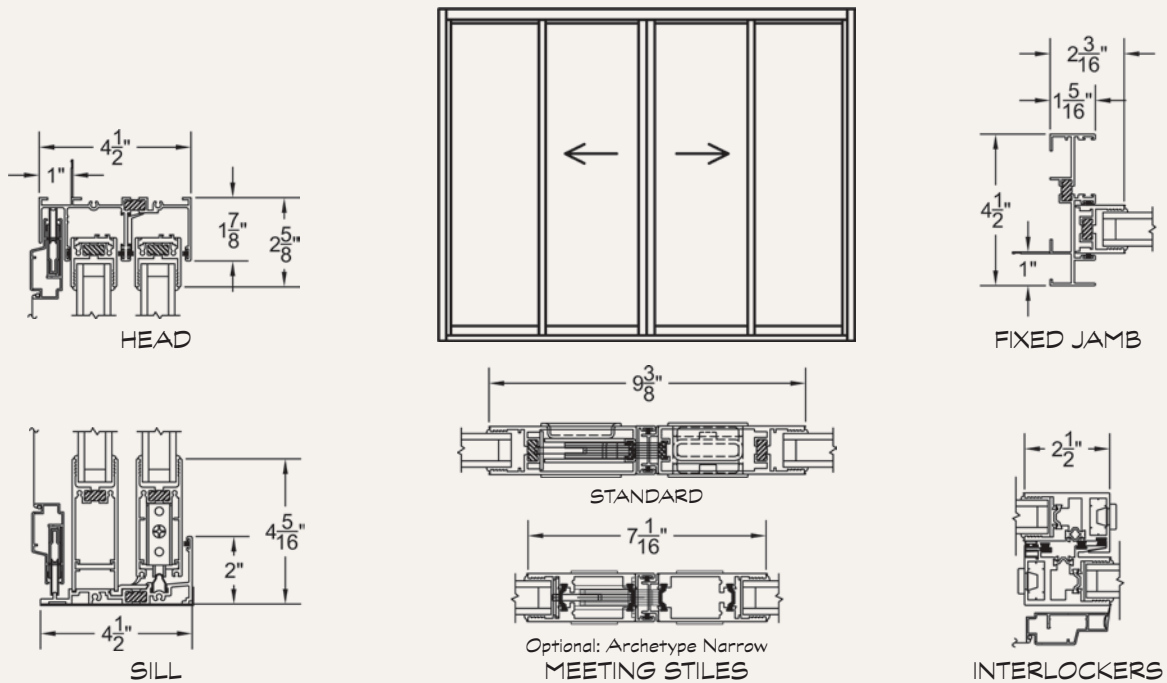
SERIES 3300-T

“THERMAL FRAME” SLIDING DOOR



TYPICAL CONFIGURATIONS	← MAX PANEL WIDTH	↑ MAX PANEL HEIGHT	☀ EXAMPLE SHGC	⚙ EXAMPLE U-FACTOR
<ul style="list-style-type: none"> OX, XO, OXO, OOX, XOO, XO, OXXO, XOOX. 	'6'	'12'	² NFRC: 0.22 ³ S.P.A.: 0.24	² NFRC: 0.34 ³ S.P.A.: 0.27

ELEVATION VIEW:
OXIXO CONFIGURATION



¹Max width and height are not necessarily available in combination.

²Specimen size: Nom. 79" x 79".

³Simulated Performance Alternative size: 192" x 120" OXIXO using Cardinal 366-i89/Argon glass.





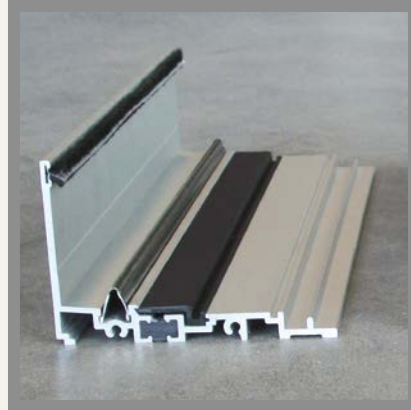
DESIGN NOTES

- More energy efficient version of the 3000.
- Available 12' tall.



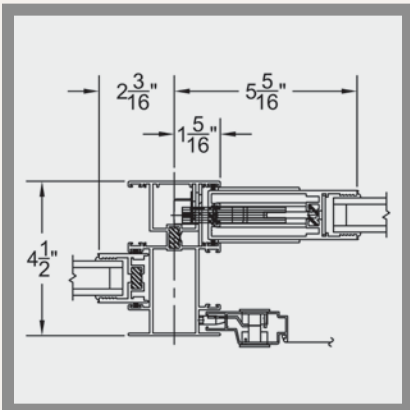
“Thermal Frame” Extrusions:

The ultimate combination of structural integrity and energy efficiency. Each extrusion was engineered to provide the precise location of the polyurethane so performance was achieved and aesthetics were not compromised. When the Series 3300-T is closed, you cannot tell the extrusions are insulated. Cheaper products have made no attempt to hide the black lines.



Stainless Track Insert:

All Fleetwood sliding doors come standard with an engineered track and roller marriage. Cheaper doors offer a steel cover that curls up over time since the convex/concave relationship is compromised. In contrast, track inserts get stronger as weight bears down and the concavity of the roller is in perfect harmony to the convex shape of the insert. The image above shows the optional High Water sill (available on the Series 3300-T and 3000).



Customization:

We offer an option on the Series 3300-T which allows a center sliding panel: it is called a false jamb (shown above). This same extrusion can be used as an “in frame” mullion between a series of fixed panels to create a large opening, i.e. OOOXOOOO. See page 12 for additional information on optional locking hardware.



Optional Keyed Lock:

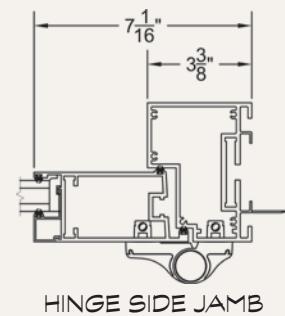
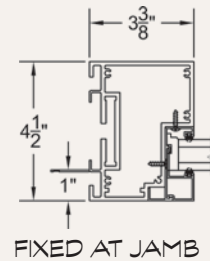
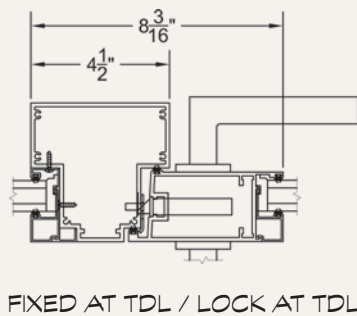
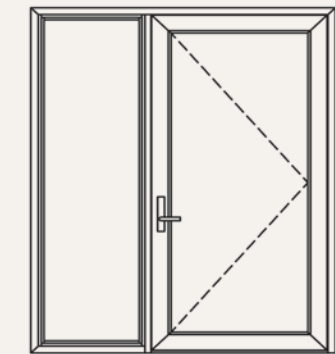
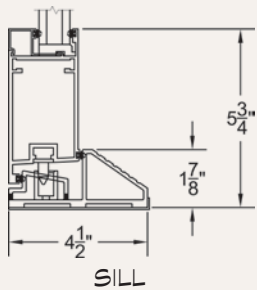
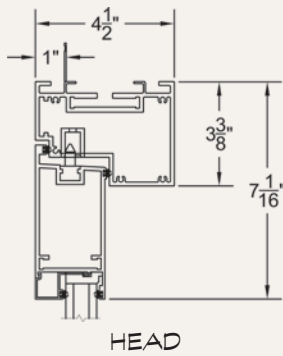
Fleetwood's proprietary Archetype Hardware is offered with an exterior keyed lock. This flush cylinder allows panels to flush stack and bypass. We have chosen a commercial grade, 5-pin, “C” keyway lock by Schlage. This keyed lock is offered on the following products: 3070, 3070-T, 3050, 3300-T, 3000, 3500, 3900-T, 3200-T and 3400P.

SERIES 3500 LUXURY HOME HINGED DOOR



TYPICAL CONFIGURATIONS	← MAX PANEL WIDTH	↑ MAX PANEL HEIGHT	☀ EXAMPLE SHGC	❄ EXAMPLE U-FACTOR
• H, HH, OHO, OHHO, HOOH.	5'	12'	² NFRC: 0.18 ³ S.P.A.: 0.20	² NFRC: 0.66 ³ S.P.A.: 0.44

ELEVATION VIEW: OH CONFIGURATION



¹Max width and height are not necessarily available in combination.

²Specimen size: Nom. 38" x 82".

³Simulated Performance Alternative size: 84" x 120" OH using Cardinal 366-i89/Argon glass.





DESIGN NOTES

- Performance tested front door.
- Panel sizes up to 12' tall.
- European adjustable hinges (see page 18)



Multi-Point Locking Hardware:

The standard locking hardware for the Series 3500 is a 5-latch system that is synchronized to one operating lever. Three latches engage mortised jamb strikes and the other two are shoot bolts for the head and sill. Additionally, this maximum-security hardware comes with a robust deadbolt, which is operated by a thumb turn.



Steel Look TDL Bar:

The sleek 1-½" sightline emulates typical steel windows, but with the benefit of aluminum (i.e. cost, maintenance, etc.).



Threshold Choices:

The standard threshold is 1-7/8" for optimum water and air performance. We offer two optional thresholds: a 1/2" flush sill (shown above) and one for high rise applications or extreme weather needs.



Corner Integrity:

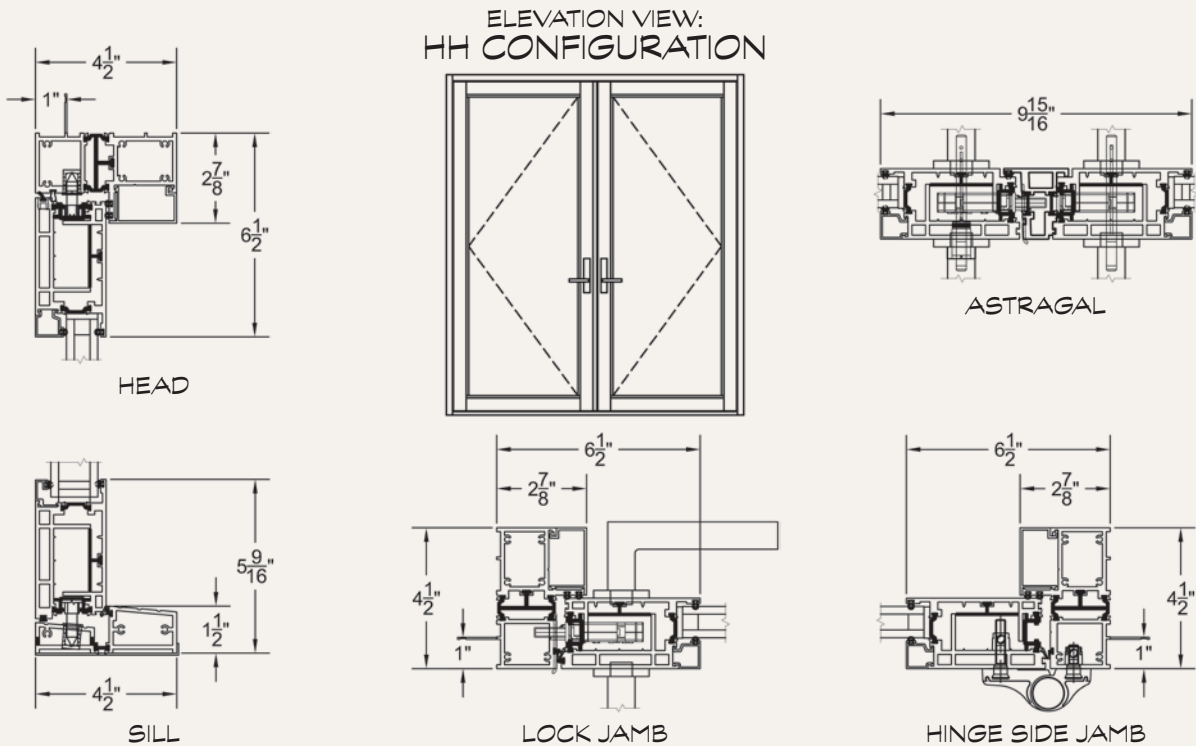
If a hinged door corner fails, the entire door falls apart. The Series 3500 was engineered around this reality and therefore utilizes the strongest corner construction available. Each corner is bolstered with a large extruded corner key that is keyed and welded into each side.

SERIES 3900-T

“THERMAL FRAME” LUXURY HOME HINGED DOOR



TYPICAL CONFIGURATIONS	← MAX PANEL WIDTH	↑ MAX PANEL HEIGHT	☀ EXAMPLE SHGC	❄ EXAMPLE U-FACTOR
• H, HH.	5'	12'	² NFRC: 0.13 ³ S.P.A.: 0.16	² NFRC: 0.38 ³ S.P.A.: 0.28



¹Max width and height are not necessarily available in combination.

²Specimen size: Nom. 38" x 82".

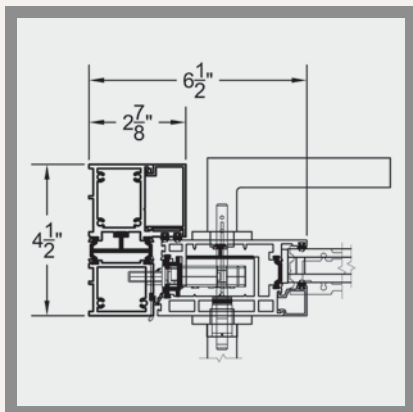
³Simulated Performance Alternative size: 96" x 120" HH using SNX62/Argon/SNX62/Argon/IS20 triple glazing.





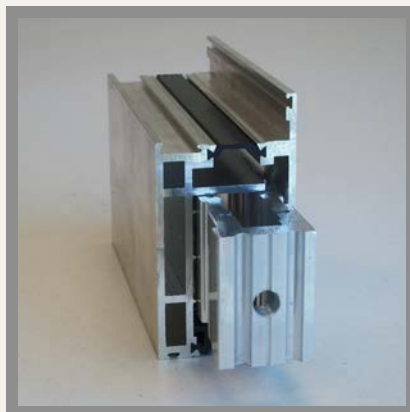
DESIGN NOTES

- “Thermal Frame” aluminum extrusions.
- Modern architecture butt joint corners.



Sleeker Sightline:

The Series 3900-T is essentially a thermally enhanced version of the Series 3500 (pages 15–16). During the design process, we applied a few improvements, one of which reduced the sightline by more than 1-1/2". Also, note from the SILL detail on page 17 that the height has been reduced and has a boxier shape.



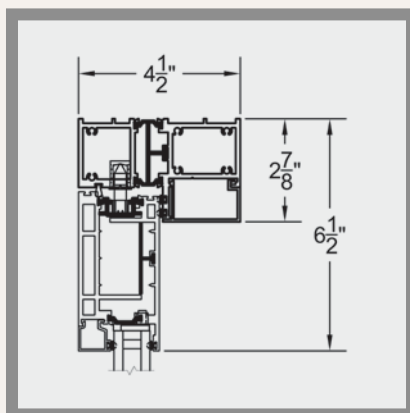
Corner Strength:

Another design enhancement is butt joinery instead of mitering, because it offers a look more consistent with modern architecture. In order to achieve this feature, we needed an exceptional corner key. From the image above, you can begin to appreciate the strength of each corner as you consider the mass of the key. The wall thickness exceeds 5/16" in most locations and penetrates 4-1/4".



Outstanding Sizes:

The Series 3900-T was designed to span an opening of up to 80 square feet with only two panels. In addition to the robust extrusions and corner design, the 3-way adjustable hinges make large openings possible.



“Thermal Frame” Technology:

The Series 3900-T thermal barrier is a modern technology called “I-Strut.” This contemporary process joins two extrusions together with a high resin “strut” instead of pouring and de-bridging a single extrusion. We selected this newer technology because it offers greater extrusion design flexibility without compromising thermal performance.

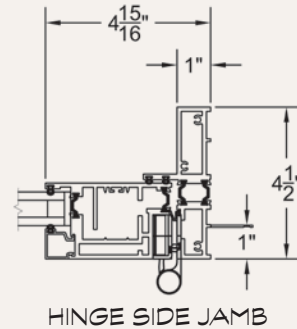
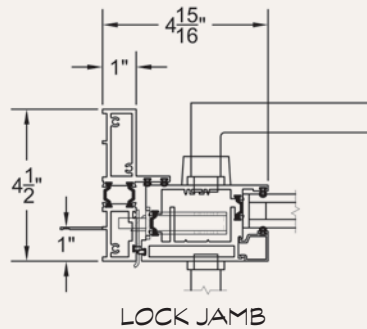
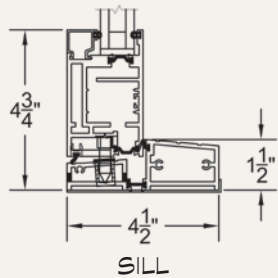
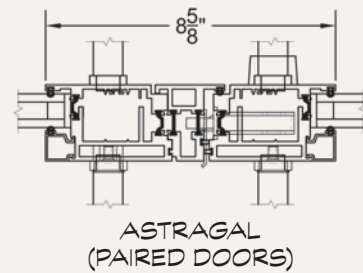
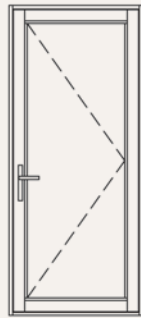
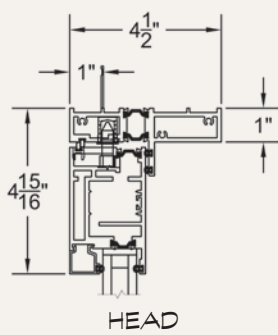
SERIES 3200-T

NARROW STYLE "THERMAL FRAME" HINGED DOOR



TYPICAL CONFIGURATIONS	← MAX PANEL WIDTH	↑ MAX PANEL HEIGHT	☀ EXAMPLE SHGC	❄ EXAMPLE U-FACTOR
• H, HH.	40"	108"	² NFRC: 0.22 ³ S.P.A.: 0.25	² NFRC: 0.39 ³ S.P.A.: 0.31

ELEVATION VIEW:
H CONFIGURATION



²Specimen size: Nom. 38" x 82".

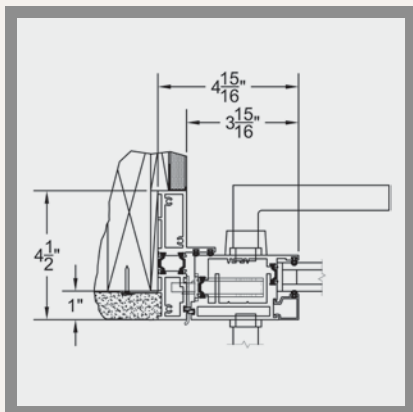
³Simulated Performance Alternative size: 72" x 108" HH using SN68/Argon/Clear/Argon/SN68 triple glazing.





DESIGN NOTES

- Narrow 3-15/16" jamb profile (see Slender Lines, below).
- Adjustable hinges.



Slender Lines:

The Series 3200-T boasts a jamb profile of only 4-15/16". Even better, the jamb was designed for finished walls to bury another 1", leaving a wall-to-glass profile of only 3-15/16" on the handle side and 4-1/16" on the hinge side.



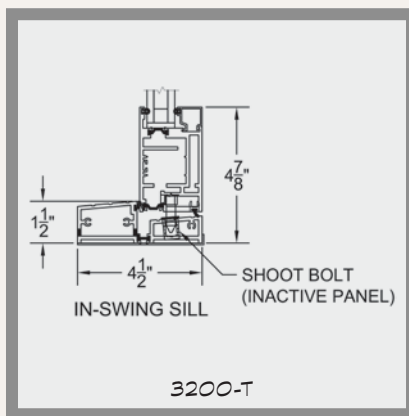
Minimalist Hardware:

The locking hardware selected for the 3200-T is manufactured in Germany by FSB. The handle plate is a slimmer version of the Series 3900-T plate but uses the same stainless lever so mixing both products is more feasible. The door self latches when closed and is secured with a dead bolt (not shown).



Flush Mounted Adjustable Hinges:

Each vent is provided with four adjustable hinges that are mortised into the extrusions (see the cross section on page 19). The top and bottom hinges provide horizontal movement and the two center hinges allow for vertical adjusting.



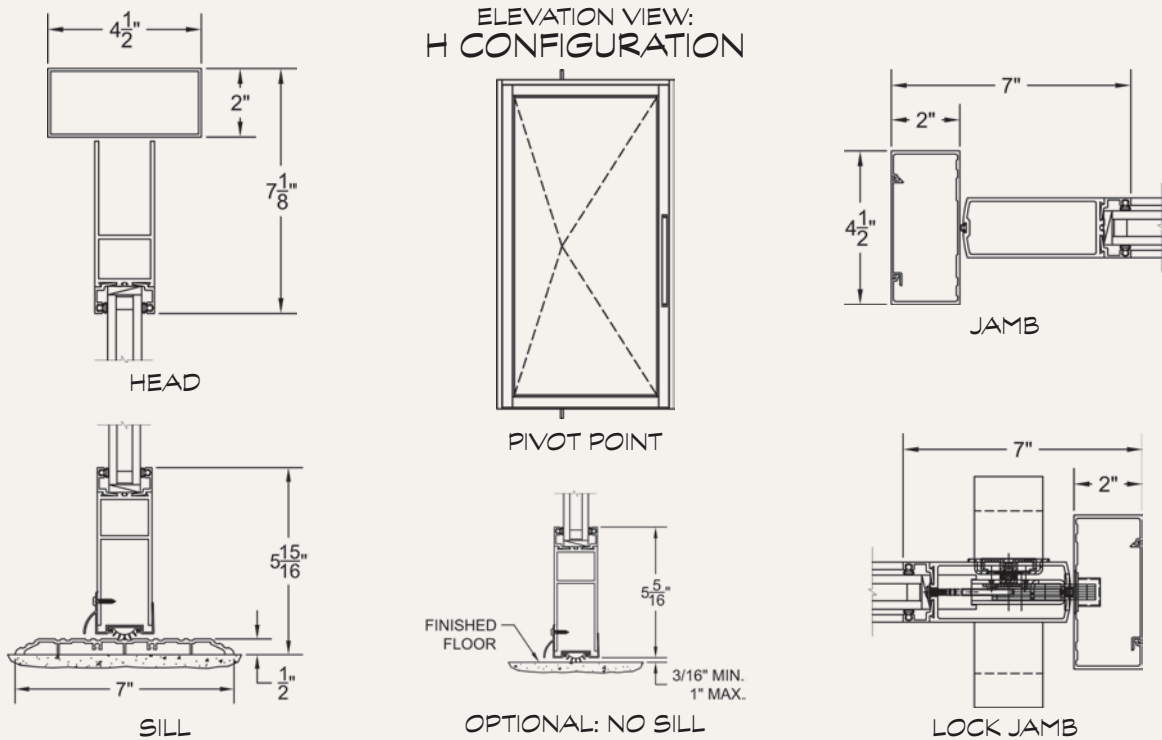
Inswing Water Performance:

A new threshold was created just for the inswing option (also used on the Series 3900-T door). Notice the geometry guides the water into the trough where it can weep to the exterior.

SERIES 3400P LUXURY HOME PIVOT DOOR



TYPICAL CONFIGURATIONS	← MAX PANEL WIDTH	↑ MAX PANEL HEIGHT	SHGC	U-FACTOR
• H, HH, HHH.	10'	15'	Unavailable	Unavailable



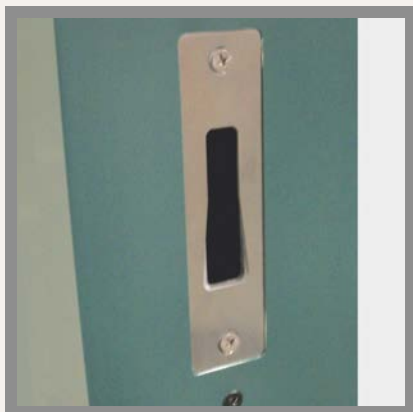
*Max width and height are not necessarily available in combination.





DESIGN NOTES

- Dramatic operation.
- Massive single panels.
- Flush sill (no weather performance).



Factory Quality:

There are many imitators in the market, but only Fleetwood offers an aluminum frame pivot door with the high expectations of factory-controlled quality. For example, the strike plate is a custom design and is mortised into the jamb. Additionally, each frame and vent corner are carefully constructed with tight factory tolerances.



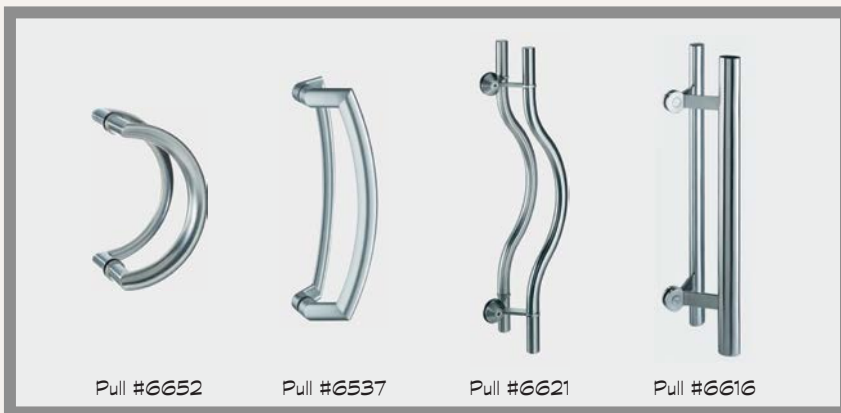
Patented Hardware:

The latching system on the Series 3400P is the same exceptional system as our premium sliding door systems. The Archetype is crafted with #316 marine grade stainless steel and is finished with an electro-polish process for ultimate corrosion resistance. We offer a variety of stainless steel pulls, or you may elect to install your own custom pull.



Closer Choices:

The Series 3400P offers three different closer options: no closer (pivots only), a floor closer, or a head closer. Depending on the panel weight, customers may choose the location of the closer/pivot. Floor closers are located beneath the floor whereas the head closer fits inside our 2" header. For an indoor/outdoor feel, some customers opt for a "no threshold" option.



Pull Choices:

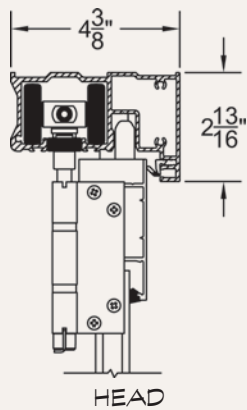
The Series 3400P, as well as all of our multi-slide doors, offers a wide selection of contemporary and elegant pulls by FSB. From the online product page, you can choose from a variety of sizes, shapes and finishes. Four of these pulls are pictured here to demonstrate the diversity of the pull offerings.

SERIES 3600

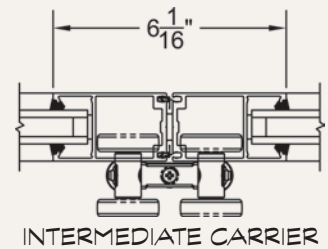
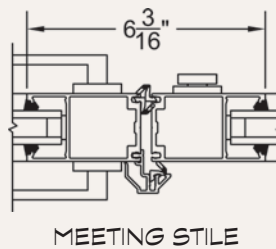
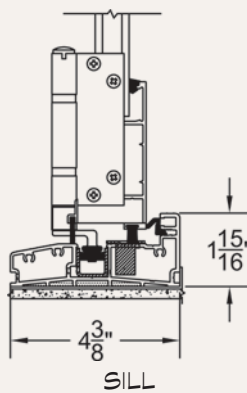
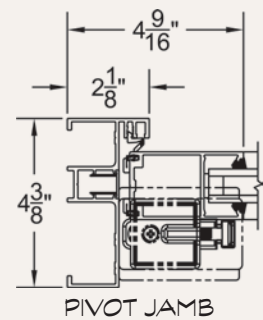
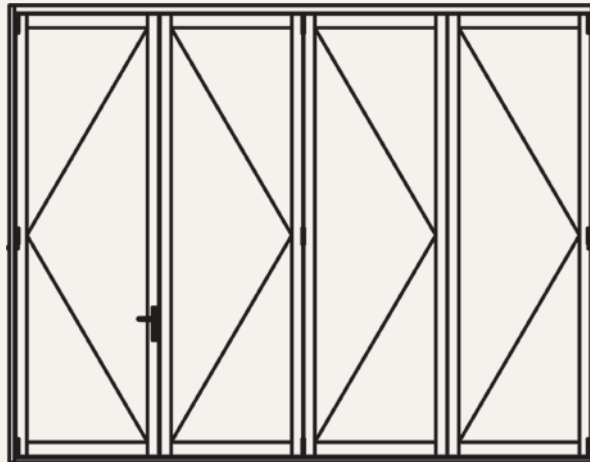
LUXURY HOME FOLDING DOOR



TYPICAL CONFIGURATIONS	← MAX PANEL WIDTH	↑ MAX PANEL HEIGHT	☀ BEST SHGC	⚙ BEST U-FACTOR
• 1L2R, 3L2R, 4L1R.	39"	120"	0.16	0.59



ELEVATION VIEW:
1L3R CONFIGURATION





DESIGN NOTES

- Up to 10' tall.
- Optional in-line hinged door.
- Maximizes opening when pocket doors are not an option.



Three Threshold Choices:

Depending on the application, we offer three different choices ranging from weather performance to hidden track. The two smaller profile sills will be buried into the flooring either partially (shown above, center) or completely (shown above, right). These two options enhance the presentation but they offer no water or air resistance.



Locking Lever:

Each hinged locking section is equipped with a two-point lock that is engaged with a 180-degree turn.



Carrier Hardware:

Because Fleetwood is committed to the “little things” (see page 2), we insisted that only Centor hardware be used as the panel carriers. The engineering behind this hardware is obvious as soon as the panels are operated.

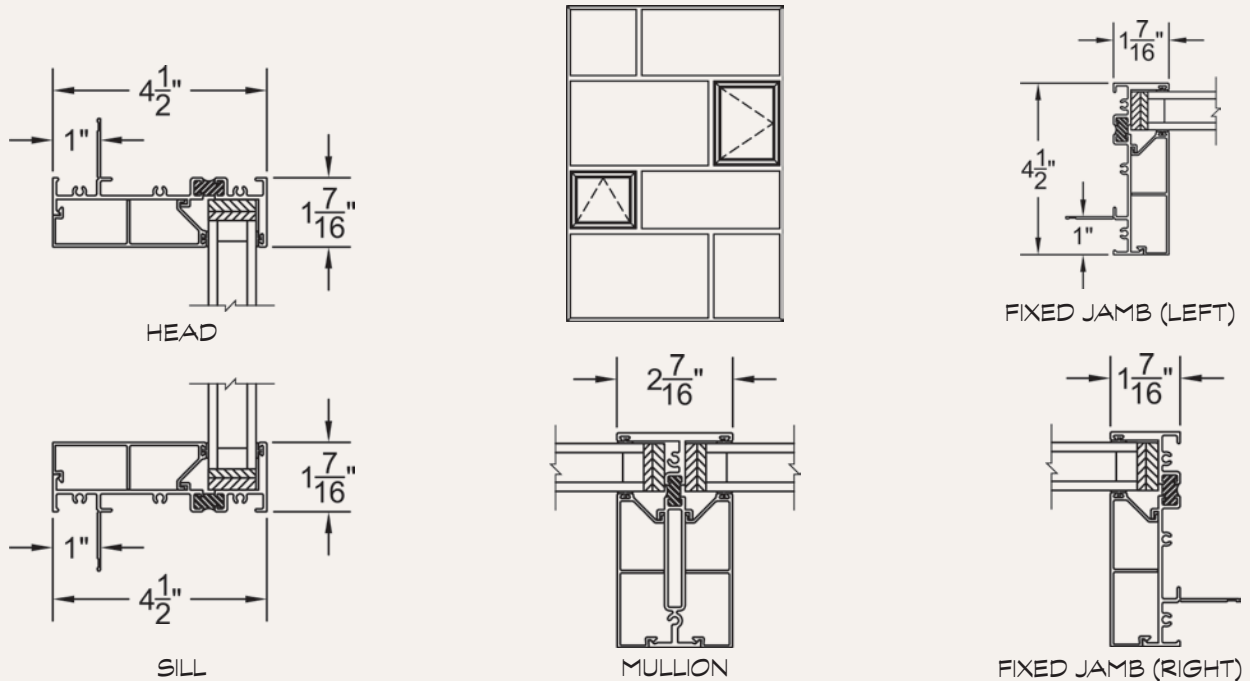
“THERMAL FRAME” WINDOW-WALL



Photo by Taiyo Watanabe

 TYPICAL CONFIGURATIONS	 MAX PANEL WIDTH	 MAX PANEL HEIGHT	 EXAMPLE SHGC	 EXAMPLE U-FACTOR
<ul style="list-style-type: none"> • Virtually Unlimited. 	Determined by Site Wind Loads	Determined by Site Wind Loads	² NFRC: 0.29	² NFRC: 0.19

ELEVATION VIEW: WINDOW-WALL WITH OPERABLE INSERTS



²Specimen size: Nom. 47" x 59".





DESIGN NOTES

- Factory fabricated system.
- Insulated framing.
- Design layout freedom.



“Storefront” Design:

Designers want the hard lines seen in typical commercial storefront but shudder at the thought of using commercial products for a variety of reasons. Our Series 3800-T fixed window system is the answer. It has similar designs as storefront but NONE of the downsides.



Integral Nail-Fin:

Builders and homeowners can relax knowing their fixed Series 3800-T windows are installed with integral nail-fins. Some fixed products, e.g. storefront, do not have a nail-fin and some products attempt one by attaching a nail-fin. Also, notice in the image above that the 3800-T extrusions are insulated for maximum energy efficiency.



Window Insert Option:

Windows can be inserted into the Series 3800-T system **in lieu of glass**. As seen in the detail above, it is a clean presentation that reduces sight lines compared to typical window-on-frame insertions. The 3800-T also accepts fixed door panel inserts, which allow side lite rails to line up with adjacent sliding doors.



Factory Weep Slots:

Because storefront is fabricated in the field, it lacks the fit and finish required by most homeowners. The Series 3800-T has been laboratory tested against water infiltration and high wind loads. Additionally, the 3800-T has insulated framing and boasts exceptional energy test results.

Fixed systems are also available in all the products listed in the Windows section of this brochure.

SERIES 250-T

“THERMAL FRAME” CASEMENT, AWNING & HOPPER



TYPICAL CONFIGURATIONS

- C, CC, COC, A, AA, AOA.
- Maximum Panel Square Footage: Casement, Awning & Hopper: 24 ft²
- Partner Products: Series 3800-T Fixed System (for inserts; pages 25–26). Series 250 Slider, Single Hung and Fixed Windows (page 33-34).

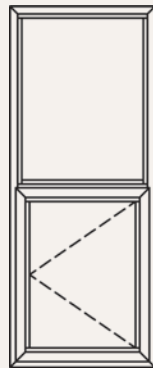
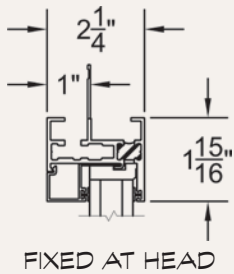
EXAMPLE SHGC

²NFRC: 0.17
³S.P.A.: 0.18

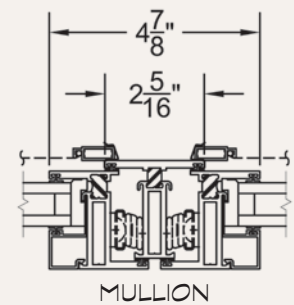
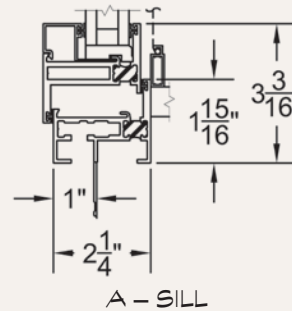
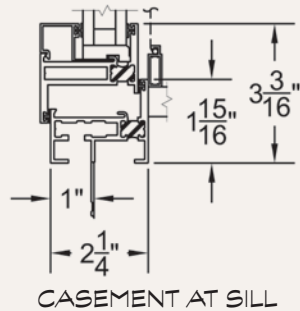
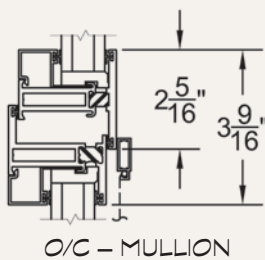
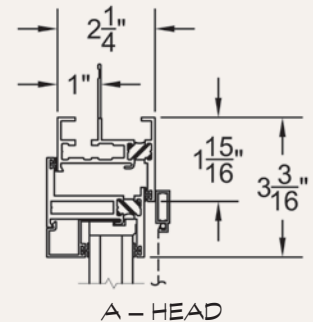
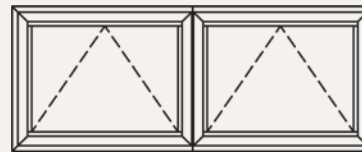
EXAMPLE U-FACTOR

²NFRC: 0.39
³S.P.A.: 0.34

ELEVATION VIEW: O/C



ELEVATION VIEW: AA



²Specimen size: Nom. 59" x 24".

³Simulated Performance Alternative size: 72" x 36" awning using Cardinal 366/Argon/Cardinal 366 triple glazing.





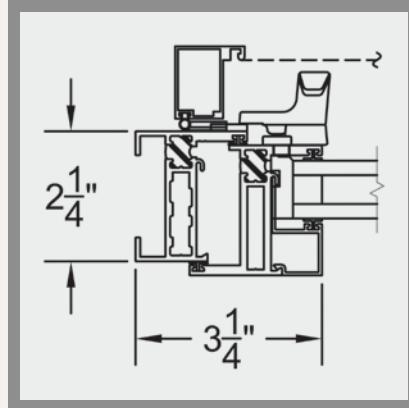
DESIGN NOTES

- Clean, linear sightlines.
- Insulated extrusions.
- Great sound, energy and weather performance.



Welded Corners:

The time proven method for building hinged windows comes standard on the Series 250-T. It includes an exceptionally strong corner, where an aluminum extruded corner key is first fitted into each frame and vent extrusion, then crimped using a hydraulic press and is then finally welded in place. This is the same method used in creating the Series 3500 hinged door as well as the Series 2000 and Series 850-T windows.



Hinged Screen:

This austere new option features a magnetic keeper & latch, and neoprene bulb as the bug guard. Hinges are mounted top and bottom for casements and left-top and right-top for awnings. This feature is only offered with the 4-bar hinge option, which is what the factory recommends for coastal and high wind projects.



Buried Hinges:

Our aluminum butt hinges are another example of the "little things." Other products surface-attach the hinges which creates more surface area for water penetration. **We also offer optional stainless steel hinges (see page 42).** For a completely hidden hinge, we offer the optional 4-bar stainless steel hinge, which is recommended for coastal and high wind projects.



Steel Look TDL Bar:

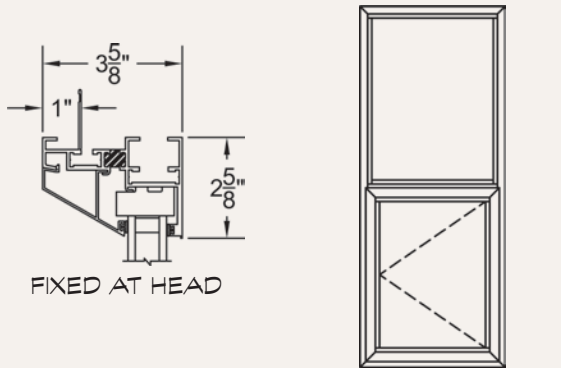
The sleek 1-1/2" sightline emulates typical steel windows, but with the benefit of aluminum (i.e. cost, maintenance, etc.).

“THERMAL FRAME” CASEMENT & AWNING

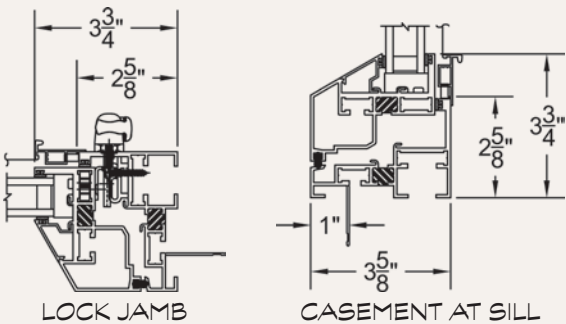


TYPICAL CONFIGURATIONS	EXAMPLE SHGC	EXAMPLE U-FACTOR
<ul style="list-style-type: none"> • C, CC, COC, A, AA, AOA. • Maximum Panel Width: Awning: 8'; Casement: 4.5'. • Maximum Panel Height: Awning: 5'; Casement: 8'. • Partner Products: Series 850-T Glazed to Frame. 	² NFRC: 0.24 ³ S.P.A.: 0.28	² NFRC: 0.46 ³ S.P.A.: 0.39

ELEVATION VIEW: O/C



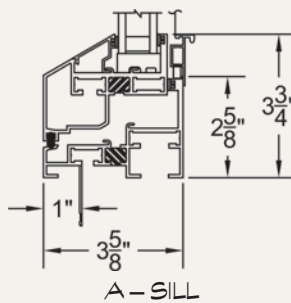
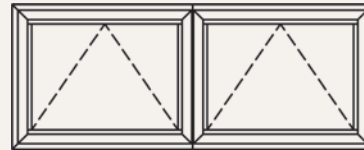
FIXED AT HEAD



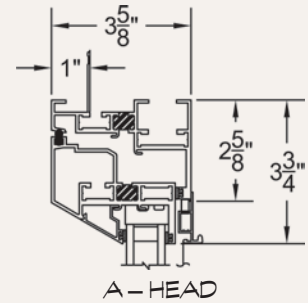
LOCK JAMB

CASEMENT AT SILL

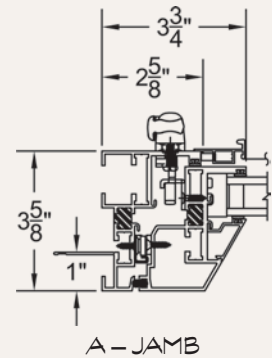
ELEVATION VIEW: AA



A - SILL



A - HEAD



A - JAMB

²Specimen size: Nom. 24" x 59".

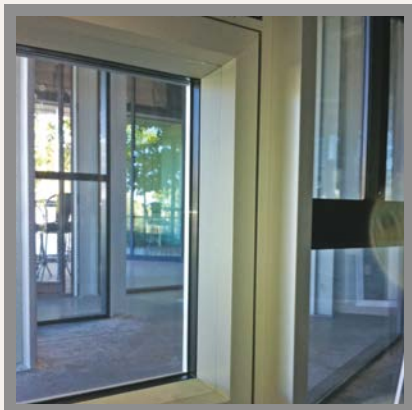
³Simulated Performance Alternative size: 48" x 84" casement using SB60-LOF/Argon Super Spacer glass.





DESIGN NOTES

- Big and bold sightlines.
- Robust hardware allows for greater vent travel.
- Insulated extrusions.



Concealed Hinge:

The standard hinge design is a 2-bar, dual action hinge that is concealed when closed. This works in conjunction with the Dual Arm operator (see below). We offer an optional operating system for those who prefer a single arm. This feature comes at no additional cost and comes standard with exposed butt hinges, similar to the Series 250-T casement window (pages 27–28).



Flush Fit Screen:

The screen tucks nicely into extrusion grooves and therefore does NOT require surface mounted clips or anchors. The tension springs hold the screen against the perimeter frame and allow easy removal.



Dual Arm Operator:

The standard roto gear includes two coated steel arms that push and pull the window with exceptional smoothness. This hinge and operator combination can easily handle casement vents as heavy as 108 lbs. and awning vents as heavy as 118 lbs. Additionally, the hinges are available as an option in stainless steel. For even larger windows, we recommend the butt hinge option, which is similar to the standard hinge on the Series 250-T casement.



Corner Key & Weld:

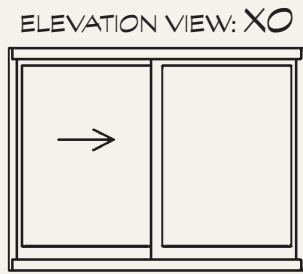
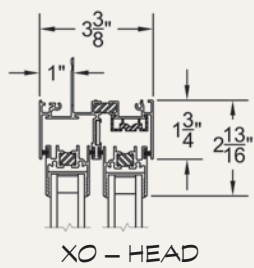
The Series 850-T vent corners are hydraulically crimped together with an extruded aluminum corner key (see Corner Integrity, page 16, for an explanation of this process). This key not only provides the obvious connecting strength but it also bolsters the lateral stability which is evident during operation. To make these vent corners even stronger, we add a hot weld to each corner (see Welded Corners, page 28).

SERIES 530-T

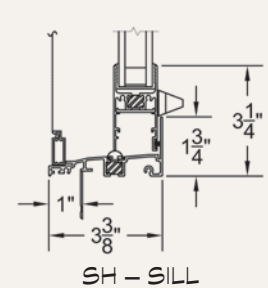
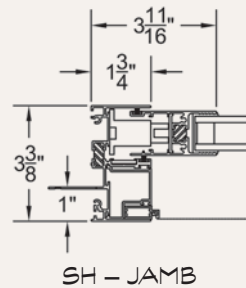
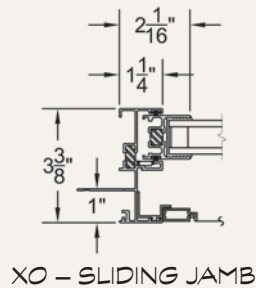
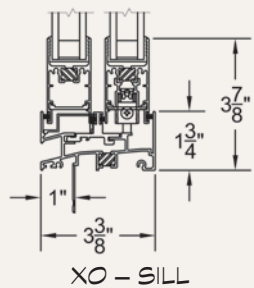
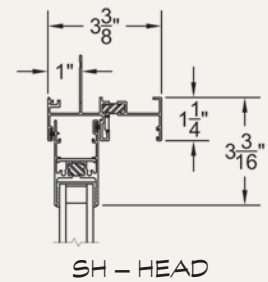
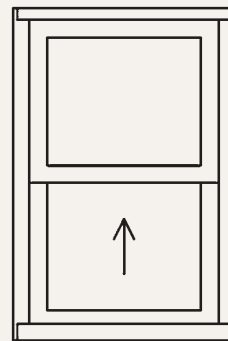
“THERMAL FRAME” HORIZONTAL SLIDER & SINGLE HUNG



TYPICAL CONFIGURATIONS	EXAMPLE SHGC	EXAMPLE U-FACTOR
<ul style="list-style-type: none"> • XO, OX, XOX, SH. • Maximum Panel Width: Horizontal Slider: 78"; Single Hung: 58". • Maximum Panel Height: Horizontal Slider: 90"; Single Hung: 45". • Partner Products: Series 530-T Glazed to Frame. 	² NFRC: 0.21 ³ S.P.A.: 0.23	² NFRC: 0.36 ³ S.P.A.: 0.29



ELEVATION VIEW: SH



²Specimen size: Nom. 59" x 47".

³Simulated Performance Alternative size: 144" x 90" XO using Cardinal 366-i89/Argon glass.





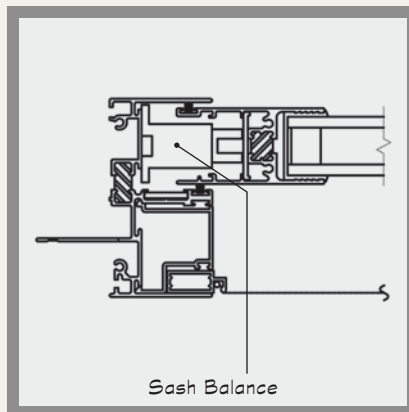
DESIGN NOTES

- Large sizes.
- Concealed thermal material.



Designer Latch:

Every Fleetwood sliding window comes standard with our own proprietary latch. Made in the USA and constructed of #316 stainless steel, this latch has no rival. It is a self-latching design so you only need close the window to be sure it is securely locked. Available in either a brushed stainless or painted black. If a custom color is desired, it can be easily removed from the window and sent to a local finisher.



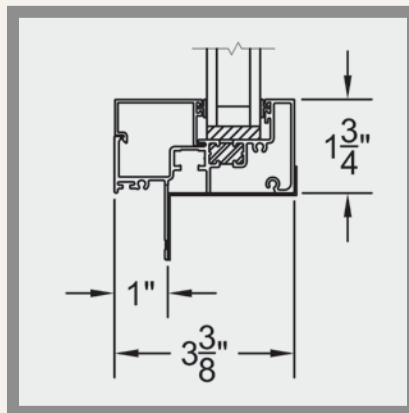
Side Load Single Hung:

The Series 530-T single hung incorporates the same balance system as the Series 250 single hung. These *block and tackle* sash balances are much more stable than the adjustable spiral balances often found in cheaper window products. Typical residential windows offer flashy features such as tilt and clean but that feature dramatically alters the simple architectural lines of the extrusion. The 530-T, as well as the 250 single hung, both provide clean lines only offered by concealed balances.



Tandem Rollers:

The Series 530-T rolling system is certainly unique in the market. It is the only sliding window with an adjustable tandem roller. Even more, the roller housing is made of stainless steel and nylon tires so the aluminum and finish are not damaged.



Center Glaze Look:

The Series 530-T operable windows are accompanied by a fixed system of the same frame depth. Some customers prefer the 530-T fixed window because the glazing is more centered. Notice the factory supplied sill pan.

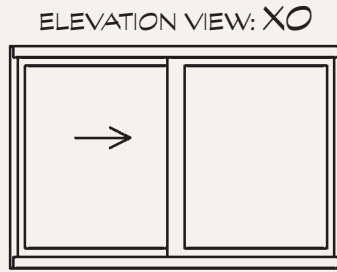
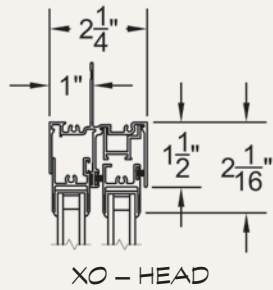
SERIES 250

HORIZONTAL SLIDER & SINGLE HUNG

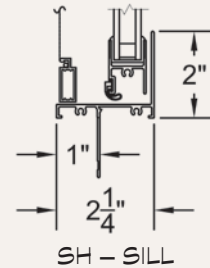
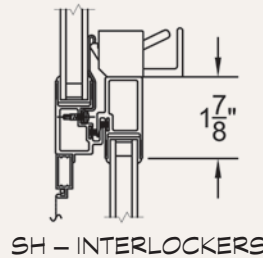
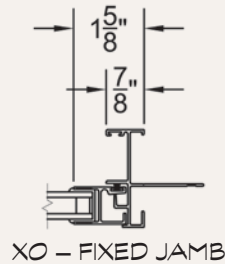
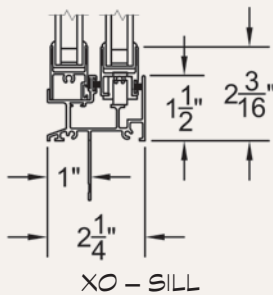
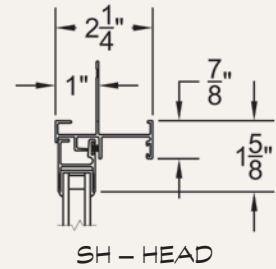
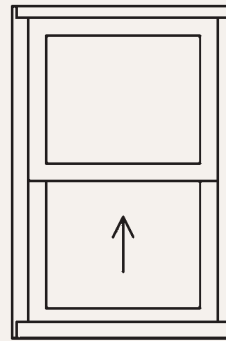


Photo by Chotkowski Photography

TYPICAL CONFIGURATIONS	EXAMPLE SHGC	EXAMPLE U-FACTOR
<ul style="list-style-type: none"> • XO, OX, XOX, SH. • Maximum Panel Width: Horizontal Slider: 66"; Single Hung: 52". • Maximum Panel Height: Horizontal Slider: 72"; Single Hung: 78". • Partner Products: Series 250 Glazed to Frame. 	² NFRC: 0.25 ³ S.P.A.: 0.25	² NFRC: 0.55 ³ S.P.A.: 0.49



ELEVATION VIEW: SH



²Specimen size: Nom. 59" x 47".

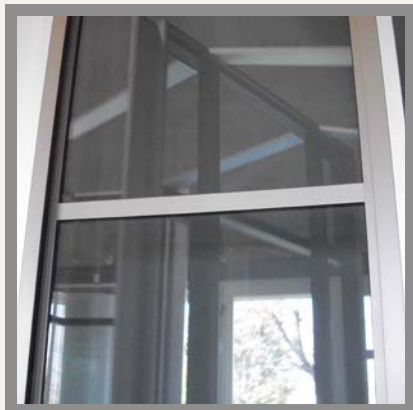
³Simulated Performance Alternative size: 120" x 60" XO using Cardinal 366/Argon glass.





DESIGN NOTES

- Narrow perimeter lines.
- Extruded screen.



True Divided Lite:

In some instances, the glass needs to be divided and provide either a vertical or horizontal sightline. The Series 250 offers an attractive shape to accomplish this desire (offered in most products). This extrusion is available in either 1/4" single glazing or 5/8" dual glazing.



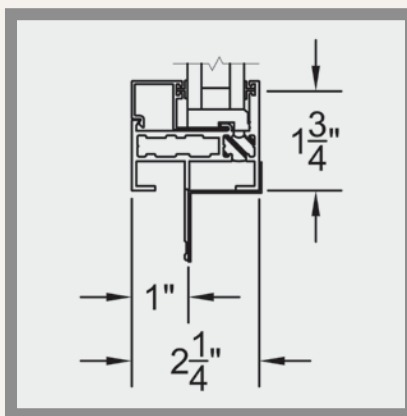
Strike Plate:

The stainless steel strike plate is an important partner to the Series 250 latch (see Designer Latch, page 32). It takes up very little space in the view-line but is secure. Other windows fatten the centerline and add a groove or strike.



S.S. Ball Bearing Rollers & Extruded Screen:

Most windows in this class provide flimsy rollers and a roll formed screen, whose anodizing does not match the rest of the window, in order to save on costs. These are two areas that should not be compromised. The Series 250 comes standard with a 3/4" diameter nylon wheel with ball bearings AND an extruded screen frame.



Fixed Window:

The Series 250 product family offers a fixed system that accepts up to 1.5" insulated glass and can accommodate various insulated glazing conditions such as mitered corners. Notice the factory supplied sill pan.

SERIES 510 HORIZONTAL SLIDER

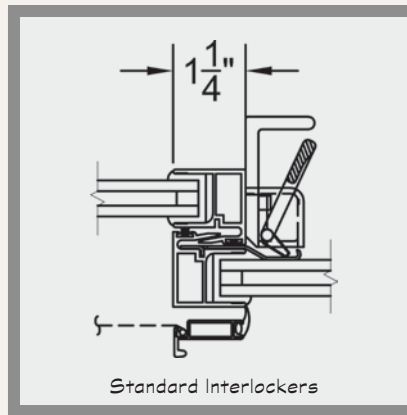
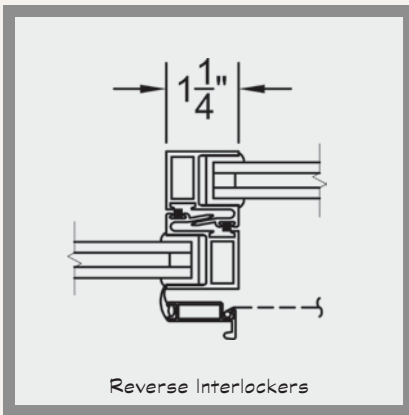


TYPICAL CONFIGURATIONS	← MAX PANEL WIDTH	↑ MAX PANEL HEIGHT	☀ EXAMPLE SHGC	⚙ EXAMPLE U-FACTOR
<ul style="list-style-type: none"> • XO, OX, XX, OXXO, XXX, XXXX, OXXO/OXXO. • Partner Products: Series 510 Fixed System. 	7'	8'	² NFRC: 0.24 ³ S.P.A.: 0.24	² NFRC: 0.58 ³ S.P.A.: 0.50



DESIGN NOTES

- Sliding screen.
- Extreme weather performance options.
- Multi-Slide capability.



(Latch pictured on page 32)

Reverse Interlocker:

The Series 510 is the only window on the market that offers a reverse interlocker (see detail to left). This unique feature allows designers to create multiple sliding vents with perfect symmetry. For example, an XXXX is an ideal configuration for multi-story applications allowing for easy installation and full surface cleaning from INSIDE the room.

Double Slide:

The Series 510 can easily be transformed into a window wherein ALL panels slide. In typical two story houses, this feature allows the homeowner to clean all surfaces of the glass without requiring access to the exterior of the window. This saves money and eliminates the potential for injury to the do-it-yourself homeowner.

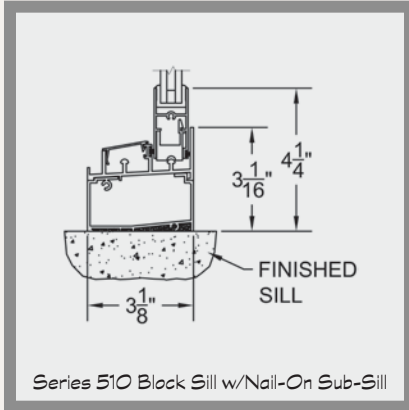
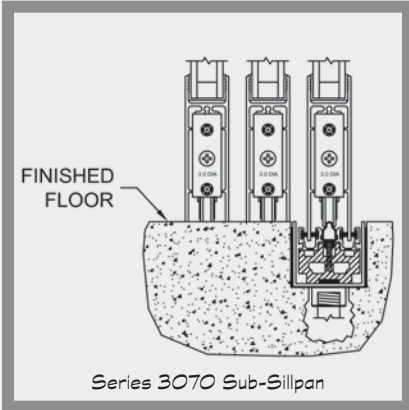
¹Max width and height are not necessarily available in combination.

²Specimen size: Nom. 59" x 47". ³Simulated Performance Alternative size: 96" x 60" XX using Cardinal 366/Argon glass.



High Performance Options

FLEETWOOD OFFERS A VARIETY OF EXTRUSIONS AND COMPONENTS TO BOLSTER WIND LOAD, WATER PERFORMANCE AND DEAD LOAD, A SELECT FEW OF WHICH ARE DETAILED BELOW FOR YOUR CONSIDERATION.



Sub-Sillpans & Sub-Sills:

When air pressures and wind velocity are extreme, we recommend sub-sills (shown above). Negative pressure pulls water into the room and prevents it from draining from the door or window. Our sub-sills safely hold large amounts of water, e.g. high-rise applications, which can safely evacuate instead of pouring the water over the sill and into the room.

Available In:

Doors: **Series 3070, Series 3070-T.**

Windows: **Series 530-T, Series 510, Series 250.**

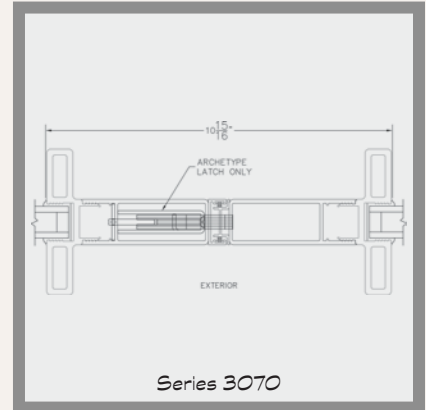
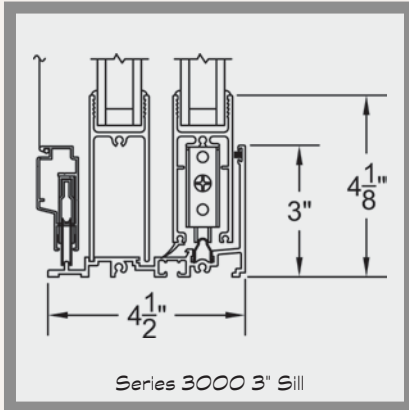
Interlockers:

Many products in the Fleetwood family offer reinforced verticals to withstand extreme wind load requirements. The added strength has not compromised the sleek 2-1/8" sight line.

Available In:

Doors: **Series 3070, Series 3070-T, Series 3050, Series 3000, Series 3300-T.**

Windows: **Series 530-T, Series 510.**



Integral Stack Bars:

The integral stack bar design is a modern improvement over the typical three-piece system. With an integral stack bar, each frame jamb is one piece so it is more attractive and provides better water leak prevention.

Available In:

Doors: **N/A.**

Windows: **Series 530-T, Series 510, Series 250.**

High Water Threshold:

As wind pressure increases, rain is restricted from weeping away from the window or door. This results in a water-head that rises quickly. One of the best ways to defend against such occurrences is to install a sub sill (as noted above) for windows or a taller sill leg for sliding doors. We offer various sill options as well as custom sill pan heights.

Available In:

Doors: Sill Pan: **All – High Water**

Threshold: **Series 3300-T, Series 3000, Series 3500.**

Windows: Sill Pan: **All – High Water**
Threshold: **N/A.**

Meeting Stiles:

High performance meeting stiles are recommended anytime wind loads exceed 50 mph. We also offer an option that reduces the sight line by 2".

Available In:

Doors: **Series 3070, Series 3050, Series 3000.**

Windows: **Series 510.**

Doors

	3070	3050	3070-T	3000	3300-T	3500	3400P	3900-T	3600	3200-T
Stainless Assembly Screws	•	•	•	•	•	•	•	•		•
USA Made Latch	•	•	•	•	•	•	•			
Patented Hardware	•	•	•	•	•		•			
Stainless Flush Actuator/Handle	•	•	•	•	•					
Electro Polished Actuator/Handle	•	•	•	•	•		•			
Stainless Strike Plate	•	•	•	•	•	•	•	•		•
Stainless Dust Box	•	•	•	•	•		•			
Stainless Edge Pull	•	•	•							
Stainless Actuator Lever	•	•	•	•	•		•			
Stainless Latch/Lever/Pull	•	•	•	•	•	•	•	•		•
Multi-Point Latch Hardware	•	•				•		•		
Designer Pulls by FSB	•	•	•	•	•	•	•	•		•
Keyed Locks	•	•	•	•	•	•	•	•		•
Adjustable Hinges						•		•		•
Stainless 3" Tandem Rollers	•	•	•							
Stainless 2" Tandem Rollers				•	•					
Swiss Made Precision Bearings	•	•	•	•	•					
USA Made Roller Assemblies	•	•	•	•	•					
.038 Stainless Track Insert	•	•	•	•	•					
Hidden Track		•								
Sill Fillers	•		•							
Head Fillers	•	•	•							
Jamb Fillers	•	•	•							
Sub-Sillpan	•		•							
3/4" Flush Sill	•									
Aluminum Sill Pan	•		•	•	•	•		•		•
"Thermal Frame"			•		•			•		•
AZO-BRADER Treatment			•		•					
I-Strut Thermal Technology			•		•			•		•
Stock Class I Anodize	•	•	•	•	•	•	•	•	•	•
Custom Color Class I Anodize	•	•	•	•	•	•	•	•	•	•
Custom Color 70% Kynar Paint	•	•	•	•	•	•	•	•	•	•
Edge Armor (10 Year Warranty)	•	•	•	•		•	•		•	
Wind Load Performance	•		•	•	•	•		•	•	
Water & Air Infiltration Performance	•		•	•	•	•		•	•	
High Performance Verticals	•	•	•	•	•					
High Performance Water Sills	•		•	•	•	•				
Telescoping Double Leg	•		•							
Integral Nail-Fin Frame				•	•	•		•		•
Block Frame Sealing Legs	•	•	•	•	•	•	•	•	•	•
Curved Glass & Frame	•	•								
90 Degree Corner-No Post	•	•	•						•	
Custom Angle Corner-No Post	•	•	•							
1" Thick Insulated Glass	•	•	•	•	•	•	•	•		•
Laminated & Monolithic Glass	•	•	•	•	•	•	•	•	•	•
Pocketing/Multi-Panel Stacking	•	•	•							•
Flush Stacking Option	•	•	•	•	•					
Divided Lites	•	•	•	•	•					•
Steel Look Divided Lites						•				
Simulated Divided Lites	•	•	•	•	•	•	•	•	•	
Sight-Line Extenders	•	•		•	•					
Ultravue Screen Mesh	•	•	•	•	•					
Heavy Duty Screen Frame	•	•	•	•	•					

Ask your dealer for side-by-side comparison sheets.



Windows

	250-T: Csmt	250-T: Awng	250-T: Hpr	850-T: Csmt	850-T: Awng	530-T	250	510	3800-T
Stainless Assembly Screws	•	•	•	•	•	•	•	•	•
USA Made Latch						•	•	•	
Electro Polished Latch						•	•	•	
Stainless Self Latching Lock						•	•	•	
Stainless Strike Plate						•	•	•	
Black Painted Latch	•	•	•	•	•	•	•	•	
Multi-Point Latch Hardware	•	•		•	•				
Stainless Adjustable Rollers						•		•	
“Thermal Frame”	•	•	•	•	•	•			•
AZO-BRADER Treatment	•	•	•	•	•	•			•
Stock Class I Anodize	•	•	•	•	•	•	•	•	•
Custom Color Class I Anodize	•	•	•	•	•	•	•	•	•
Custom Color 70% Kynar Paint	•	•	•	•	•	•	•	•	•
Edge Armor (10 Year Warranty)	•	•	•				•	•	•
Wind Load Performance	•	•	•	•	•	•	•	•	•
Water & Air Infiltration Performance	•	•	•	•	•	•	•	•	•
High Performance Verticals						•		•	
High Water Sub Sill						•	•	•	
Aluminum Sill Pan	•	•	•	•	•	•	•	•	•
1" Thick Insulated Glass	•	•	•	•	•	•			•
5/8" Thick Insulated Glass							•	•	
Laminated & Monolithic Glass	•	•	•	•	•	•	•	•	•
Integral Nail-Fin Frame	•	•	•	•	•	•	•	•	•
Block Frame Sealing Legs	•	•	•	•	•	•	•	•	•
“Z” Frame	•	•	•						
Fixed	•	•	•	•	•	•	•	•	•
Double Slide								•	
Fixed Curved Glass & Frame	•	•	•				•		•
90 Degree Corner Post	•	•	•				•		
Fixed Corner-No Post	•	•	•	•	•	•	•	•	•
90 Degree Linear Stops	•	•	•						•
Window-Wall & Inserts									•
Divided Lites	•	•	•	•	•	•	•	•	•
Steel Look Divided Lites	•	•	•						
Simulated Divided Lites	•	•	•	•	•	•	•	•	•
Ultravue Screen Mesh	•	•	•	•	•	•	•	•	
Gliding Screen								•	
Fixed Raked & Geometries	•	•	•	•	•	•	•	•	•

Ask your dealer for side-by-side comparison sheets.

Door Hardware

Most hardware shown is standard finish brushed stainless steel. Some hardware is available in a black powder coat finish. For more detailed information, navigate to the appropriate product page and select the Hardware link in the Optional Features section online.

ARCHETYPE & ARCHETYPE NARROW

POCKET/MULTI-SLIDERS: SERIES 3050, 3070, 3070-T, 3070-HI

SLIDING DOORS: SERIES 3000, 3300-T



Stainless Archetype
(Brushed)

Stainless Archetype
(Black Paint)

Stainless
Archetype Narrow
(Brushed)

Stainless
Archetype Narrow
(Black Paint)

Stainless Strike Plate
(Adjustable)

ARCHETYPE ROLLERS & TRACK



Archetype Stainless Roller—2" diameter
Swiss Precision Bearings
(Series 3000 & 3300-T)

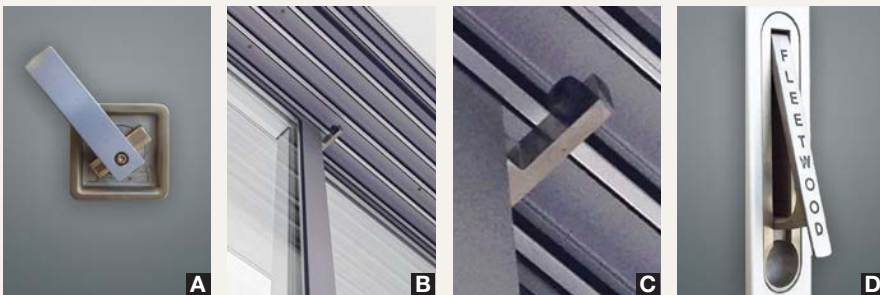


Archetype Stainless Roller—3" diameter
Swiss Precision Bearings
(Series 3050, 3070, 3070-T & 3070-HI)



Stainless Track Insert
(Shown in 2 track 3070 sill)

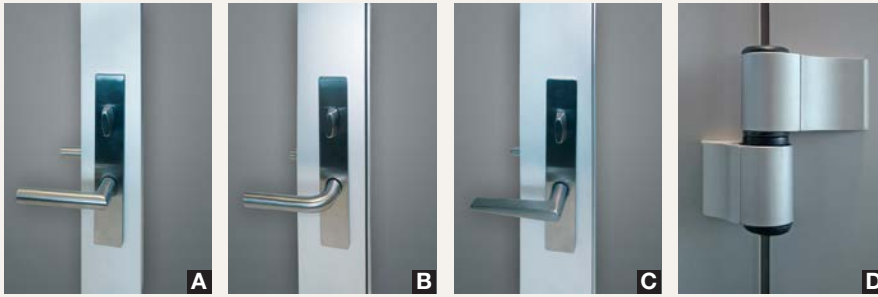
ARCHETYPE MULTI-SLIDE DOOR OPTIONS



- A. Stainless Actuator Lever
- B. Stainless Door Collectors
- C. Stainless Door Collectors (Close up)
- D. Stainless Edge Pull

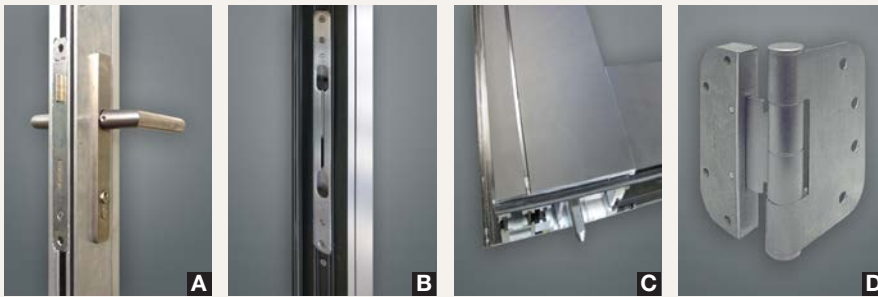


HINGED DOORS: SERIES 3900-T & SERIES 3500



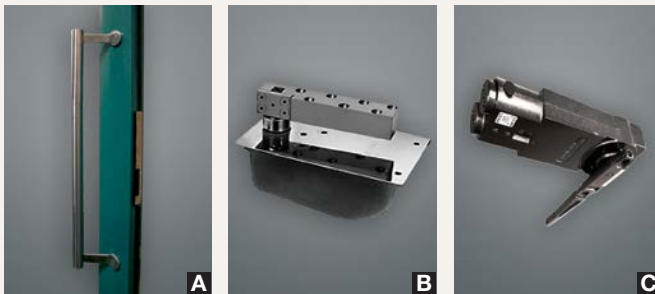
- A. Stainless *FSB* Lever #1076 (Standard)
- B. Stainless *FSB* Lever #1075
- C. Stainless *FSB* Lever #1005
- D. *Savio* Butt Hinges (Anodized Finish)

HINGED DOOR: SERIES 3200-T



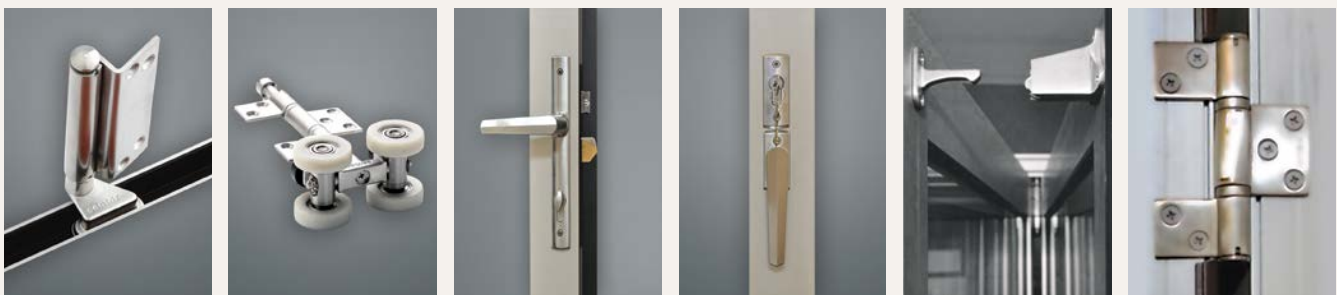
- A. Stainless *FSB* Lever #1076 (Standard)
- B. Flush Bolt Latch
- C. Shoot Bolt (Inactive panel)
- D. Adjustable Hinge (PVD Finish)

PIVOT DOOR: SERIES 3400P



- A. Stainless *FSB* Pull #6615
- B. *Rixson* Floor Closer
- C. *International Door Closer* Head Closer

FOLDING DOOR: SERIES 3600



Bottom Guide

Hinge Carrier

Action Handle w/
Twin Bolts

Twin Bolt Lock
Cylinder

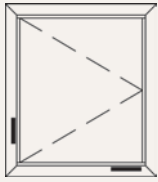
Door Holder

Hinges

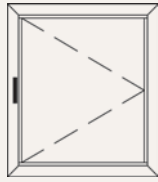
Window Hardware

Hardware shown is standard finish brushed nickel. Some hardware is available in black or gray painted finishes (requires less maintenance on the coast). For more detailed information, navigate to the appropriate product page and select the Hardware link in the Optional Features section online.

CASEMENT: SERIES 250-T & SERIES 2000



A



B



C



D



E



F



G



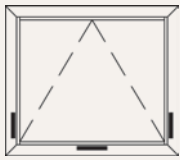
H



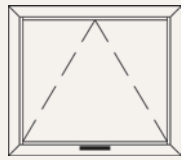
I

- A. Casement (Rotogear – Butt Hinges)
- B. Casement (Cam – 4 Bar Stainless Hinges)
- C. Standard Folding Rotogear Operator¹ (Butt Hinges)
- D. Optional Knob Rotogear Operator¹ (Butt Hinges)
- E. Standard Multipoint Lock
- F. Cam Handle² (4 Bar Stainless Hinges)
- G. Optional Ring Cam Handle (4 Bar Stainless Hinges)
- H. Custodial Lock (4 Bar Stainless Hinges)
- I. Optional Cam w/Multipoint (Series 250-T only) (4 Bar Stainless Hinges)

AWNING: SERIES 250-T & SERIES 2000



A



B



C



D



E



F



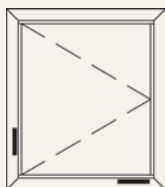
G



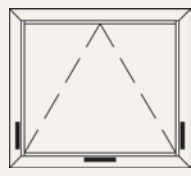
H

- A. Awning (Rotogear – 4 Bar Stainless Hinges)
- B. Awning (Cam – 4 Bar Stainless Hinges)
- C. Standard Folding Rotogear Operator³ (4 Bar Stainless Hinges)
- D. Optional Knob Rotogear Operator³ (4 Bar Stainless Hinges)
- E. Optional Security Lock⁴
- F. Cam Handle (4 Bar Stainless Hinges)
- G. Optional Ring Cam Handle (4 Bar Stainless Hinges)
- H. Custodial Lock (4 Bar Stainless Hinges)

CASEMENT & AWNING: SERIES 850-T



A



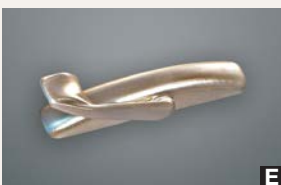
B



C



D



E

- A. Casement
- B. Awning
- C. Standard Folding Rotogear Operator¹ (2 Bar Hinges or Butt Hinges)
- D. Optional Knob Rotogear Operator¹ (2 Bar Hinges or Butt Hinges)
- E. Multipoint Lock (Standard on Casements, Optional on Awnings⁴)

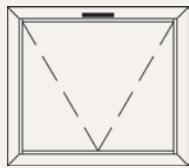


¹Not intended to be left open when wind speeds exceed 10 mph.

²Approved to be left open during wind speeds of up to 25 mph.

³Limited vent travel. ⁴Recommended for security concerns.

HOPPER: SERIES 250-T & SERIES 2000



A



B



C



D



E



F

- A. Hopper
- B. Standard Ring Cam Handle* (4 Bar Stainless Hinges)
- C. Optional Spring Latch (4 Bar Stainless Hinges)
- D. Ring Pull* (4 Bar Stainless Hinges)
- E. Custodial Lock w/Wrench (4 Bar Stainless Hinges)
- F. Hopper Pole

All Hopper hardware available only with 4 Bar Hinges. *A single Ring Cam is provided on smaller windows. Wider vents receive two Ring Cam Handles and a Ring Pull in the middle.

CASEMENT, AWNING & HOPPER: HINGES



A



B



C



D



E

- A. 2 Bar Stainless Hinge (Series 850-T: C, A)
- B. 4 Bar Stainless Hinge (Series 250-T: C, A, H) (Series 2000: C, A, H)
- C. Butt Hinge (4") (Series 850-T, 250-T, 2000: C)
- D. Stainless Butt Hinge (3") (Series 250-T, 2000: C)
- E. Stainless Casement Limit Device (Series 850-T, 250-T, 2000: C)

Availability of hinges is based on product series and operator type. For more detailed information, navigate to the appropriate product page and select the Hardware link in the Optional Features section online.

SCREENS



A



B



C



D

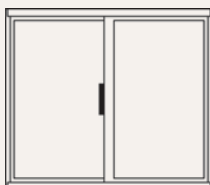


E

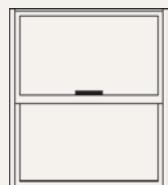
- A. Flat Screen – Stainless Clip (Series 250-T, 2000: C, A, H)
- B. Flat Screen – Stainless Clip (Close up)
- C. Hinged Screen – Stainless Hinge (Series 250-T, 2000: C, A)
- D. Hinged Screen – Stainless Hinge (Close up)
- E. Sliding Window Screen (Series 530-T, 510 & 250)

4 screen clips provided per screen. By default, awning hinged screen hinges are located across the top of the vent and casement screen hinges are located on the side of the vent.

SLIDING & SINGLE HUNG: LATCH & STRIKE



A



B



C



D

- A. Horizontal Slider
- B. Single Hung
- C. Stainless Latch & Strike (Series 530-T, 510 and 250)
- D. Angle view

FLEETWOOD WINDOWS & DOORS FACTORY & SHOWROOM



WE INVITE YOU TO VISIT OUR 207,000 SQUARE FOOT FACTORY WHICH IS LOCATED IN SOUTHERN CALIFORNIA. OUR SHOWROOM IS EQUIPPED WITH A BROAD SAMPLING OF EVERY PRODUCT WE MANUFACTURE. CONTACT ONE OF OUR INSIDE SALES AGENTS TO SET UP AN APPOINTMENT.

Finding A Dealer:

If your project is located in one of our major markets (Hawaii, California, Nevada, Arizona, New Mexico, Colorado, Utah, Oregon, Washington, Idaho, Texas, Tennessee, Alabama, Georgia, South Carolina, North Carolina, Florida, New York, Illinois, British Columbia and Mexico), we offer a convenient way to find a dealer. On our website, select "Dealer Search" and follow the drop down options to find a dealer near you.

Factory Pricing:

If your project is located outside our major markets, we offer an alternative method for a price quote. On our website, select the appropriate category of Homeowners or Designers and follow the drop down option for "Factory Pricing." Our Inside Sales staff will process your quote within 72 hours.

More Information?

We encourage you to visit our website at www.FleetwoodUSA.com.

Important

The Limited Lifetime Warranty and Care & Maintenance Instructions are available on our website.



Fleetwood Windows & Doors

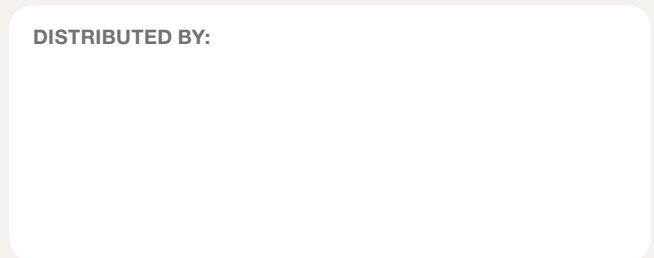
1 Fleetwood Way, Corona, CA 92879
P.O. Box 1086, Corona, CA 92878-1086

800.736.7363

951.279.1070 • FAX: 951.279.8068

www.FleetwoodUSA.com
Sales@FleetwoodUSA.com

DISTRIBUTED BY:



*Authorized Dealers can buy glass to install in Fleetwood products. If you desire factory glazing and the subsequent glass warranty, make sure the dealer is providing factory glazed doors and windows.



All detail subject to change without notice. September, 2015.
Copyright © 2015 Fleetwood Windows & Doors. All rights reserved.